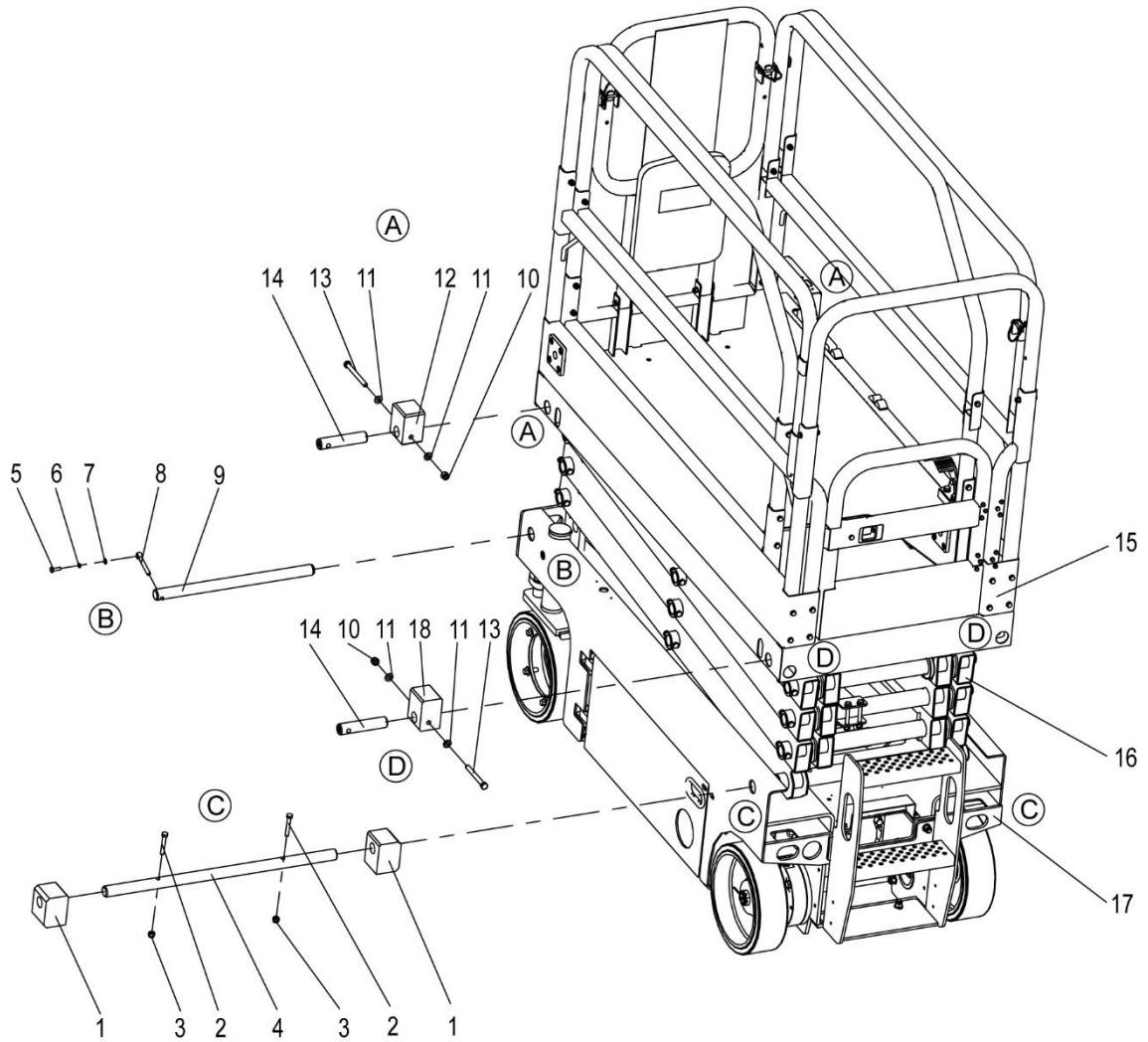


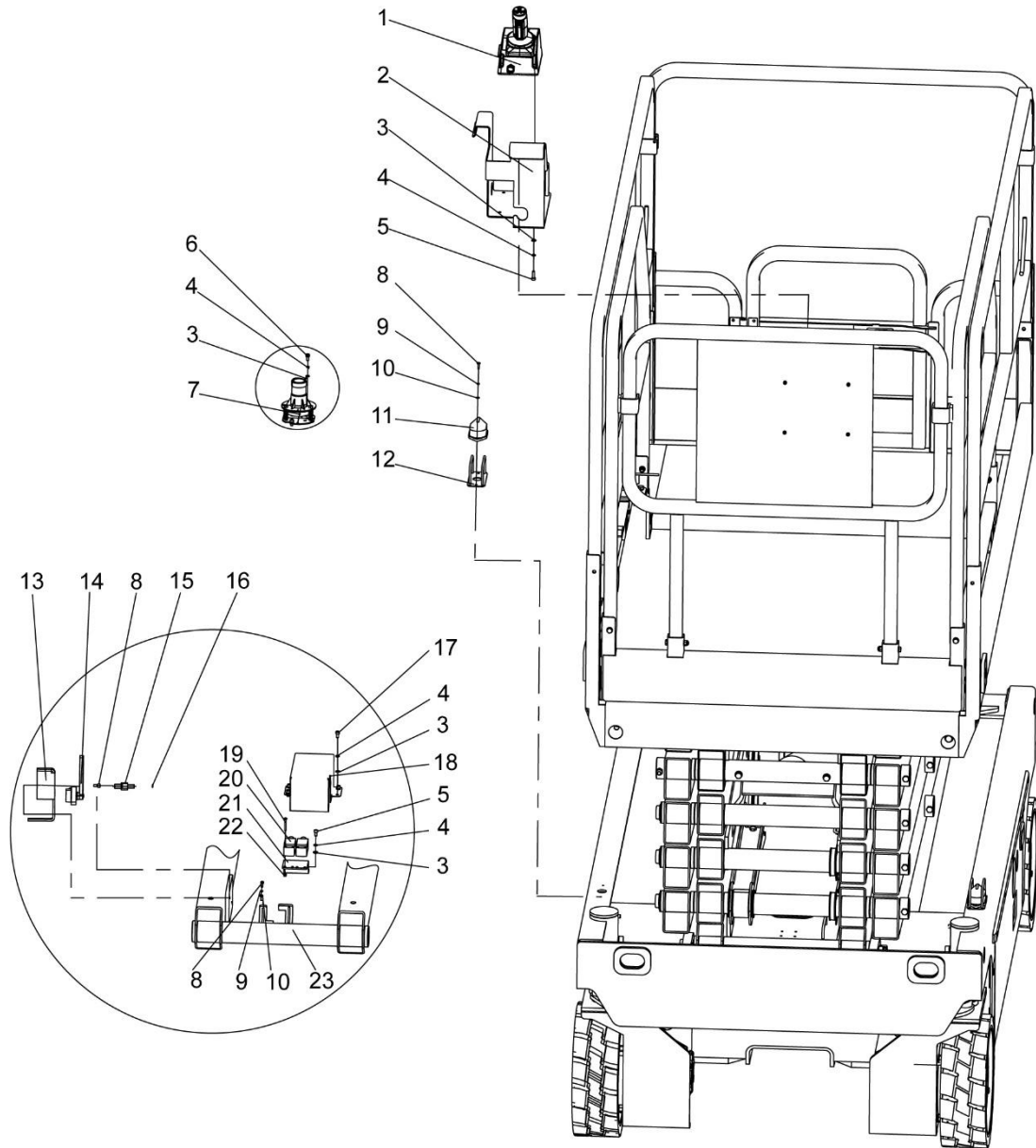
ZS1932/ZS1930 Series Pin Installation



ZS1932/ZS1930 Series Pin Installation

NO.	Material No.	Item and Spec	Units	Remark
1	00775300000011040	Lower sliding block	2	
2	1040000072	Bolt M10×65-8.8	2	GB/T5783-2000
3	1040200504	Nut M10-8	2	GB/T889.1-2000
4	00775300000011030	Lower sliding axle	1	
5	1040000288	Bolt M8×25-8.8	1	GB/T5783-2000
6	1040300063	Washer 8	1	GB/T93-1987
7	1040300066	Washer 8	1	GB/T97.1-2002
8	00775600000001050	Articulated pin	1	
9	00775300000011020	Lower stationary axle	1	
10	1040200507	Nut M12-8	4	GB/T889.1-2000
11	1040300526	Washer 12	8	GB/T97.1-2002
12	00775300000011080	Upper sliding block	2	
13	1040000807	Bolt M12×120-8.8	4	GB/T5782-2000
14	00775300000011060	Upper stationary axle	4	
15	00775300100000000	Work platform	1	
16	00775300310000000	Scissor arm	1	
17	00775302800000000	Chassis (ZS1930HD)	1	
	00775302810000000	Chassis (ZS1930DC)	1	
	00775302820000000	Chassis (ZS1930HD-Li)	1	
	00775302830000000	Chassis (ZS1930DC-Li)	1	
	00775302880000000	Chassis (ZS1930HA-Li)	1	
	00775302870000000	Chassis (ZS1930AC-Li)	1	
	007753028C0000000	Chassis (ZS1930HA)	1	
	007753028A0000000	Chassis (ZS1930AC)	1	
	00775302890000000	Chassis (ZS1932ACW)	1	
	007753028D0000000	Chassis (ZS1932ACW-Li)	1	
18	00775300000011050	Upper sliding block	2	

ZS4555/4045/3246/2646/2632/2032/ZS1932/ZS1930 Series Accessory Installation

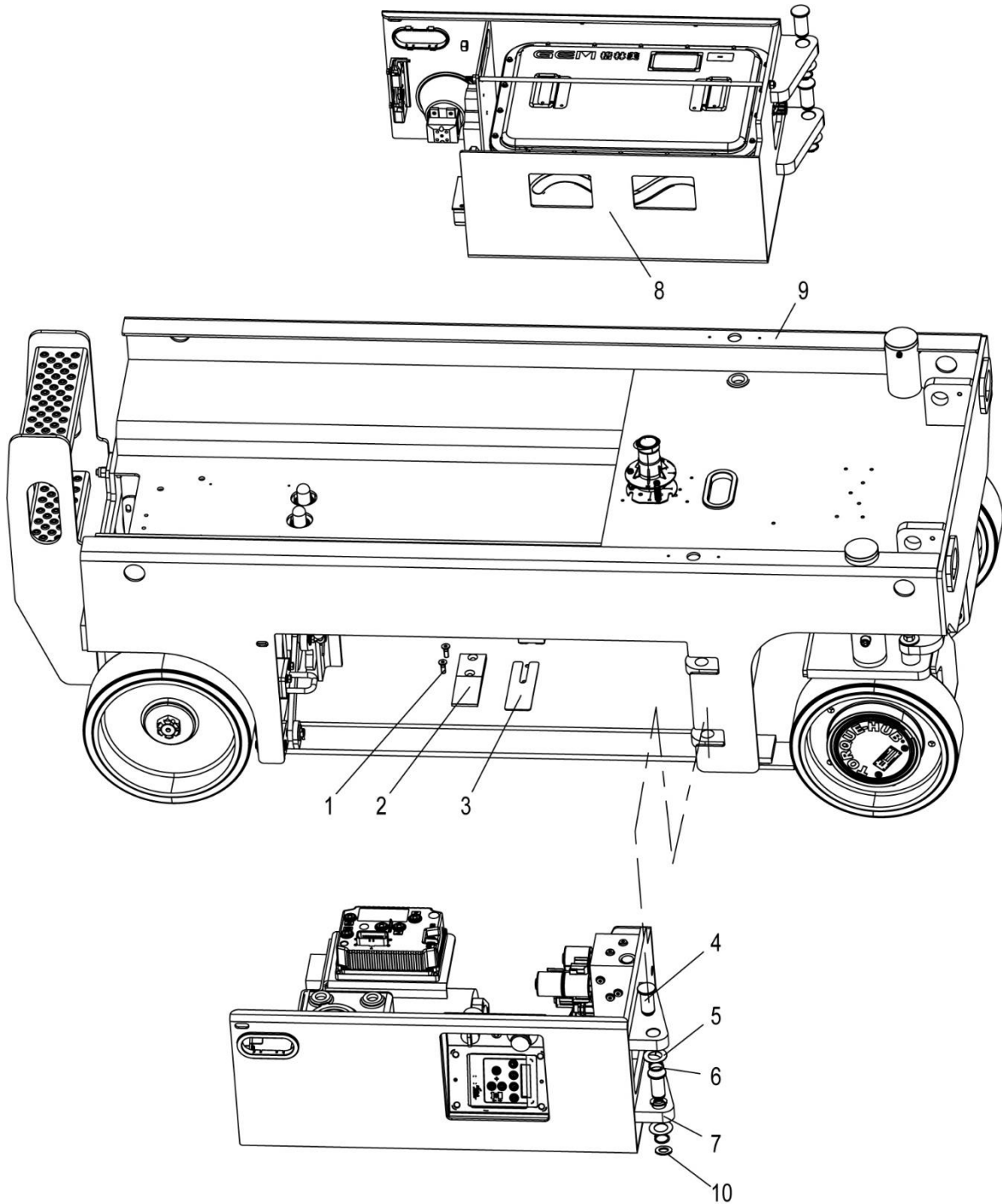


ZS4555/4045/3246/2646/2632/2032/ZS1932/ZS1930series Accessory Installation

NO.	Material No.	Item and Spec	Units	Remark
1	1020104278	Platform control assembly	1	
2	00775606300410000	Platform control box	1	
3	1040300051	Washer 6	13	GB/T97.1-2002
4	1040300062	Washer 6	13	GB/T93-1987
5	1040100055	Screw M6×20-8.8	6	GB/T70.1-2000
6	1040000096	Bolt M6×12-8.8	3	GB/T5783-2000
7	1021404307	Inclination switch	1	
8	1040100618	Screw M4×16-8.8	10	GB/T818-2000
9	1040300044	Washer 4	8	GB/T93-1987
10	1040301697	Washer 4	8	GB/T97.1-2002
11	1029906635	LED Strobe light	2	
12	1029906206	Shield	2	
13	00775706320601010	Installation bracket	1	
	00775306320601020	Installation bracket (ZS1932/ZS1930 series)	1	
14	1021404319	Angle sensor	1	
15	00775706320601020	Screw	1	
16	1040300067	Washer10	1	GB/T93-1987
17	1040100127	Screw M6×12-8.8	4	GB/T70.1-2000
18	00775706300201020	Limit guard	1	
	00775306320201020	Limit guard (ZS1932/ZS1930 series)	1	
19	1040102716	Screw M4×35	4	GB/T70.1-2000
20	1020520944	Limit switch	2	
21	00775706300201010	Limit bracket	1	
	00775306320201010	Limit bracket (ZS1932/ZS1930 series)	1	
22	1040201605	Locknut M4-8	4	GB/T889.1-2000
23	00775600000001030	Limit block	2	
	00775300000011070	Limit block (ZS1932/ZS1930 series)	2	

ZS1932/ZS1930 Series Chassis Tray

CHASSIS

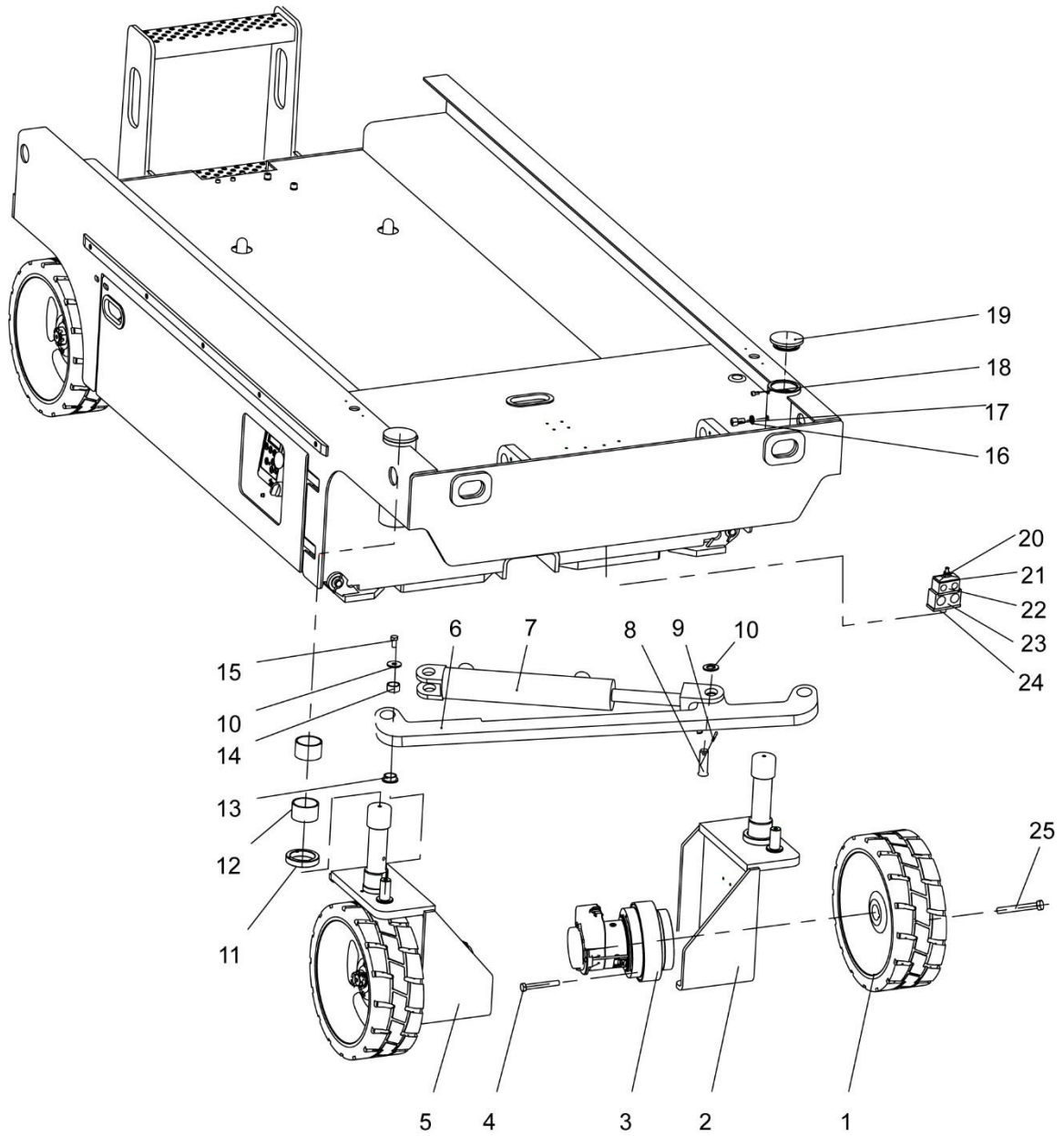


ZS1932/ZS1930 Series Chassis Tray

NO.	Material No.	Item and Spec	Units	Remark
1	1040102356	Screw M8×25	4	GB/T70.3-2000
2	00775302800001040	Nylon spacer	2	
3	00775602800001200	Adjustable pad	4	
4	00775302800001100	Tray pin I	4	
5	00775602800001010	Copper washer	4	
6	1040300154	Retaining ring 25	4	GB/T894.1-1986
7	00775302800800000	Hydraulic Tray (ZS1930HD)	1	
	00775302810200000	Hydraulic Tray (ZS1930DC)	1	
	00775302880400000	Hydraulic Tray (ZS1930HA)	1	
	00775302890800000	Hydraulic Tray (ZS1930AC/ZS1932ACW)	1	
8	00775302830600000	Battery Tray (ZS1930HD/DC/HA/AC/ ZS1932ACW)	1	
	00775302830400000	Battery Tray (ZS1930HD-Li/DC-Li/HA-Li/AC-Li/ ZS1932ACW-Li)	1	
9	00775302800200000	Frame (ZS1930HD/HA series)	1	
	00775302830200000	Frame (ZS1930DC-Li/AC-Li)	1	
	00775302811200000	Frame (ZS1930DC/AC)	1	
	00775302890600000	Frame (ZS1932ACW)	1	
	007753028D0200000	Frame (ZS1932ACW-Li)	1	
10	1040300106	Washer	4	GB/T97.1-2002

ZS1932/ZS1930DC(AC/ACW) Front-wheel Steering System

CHASSIS

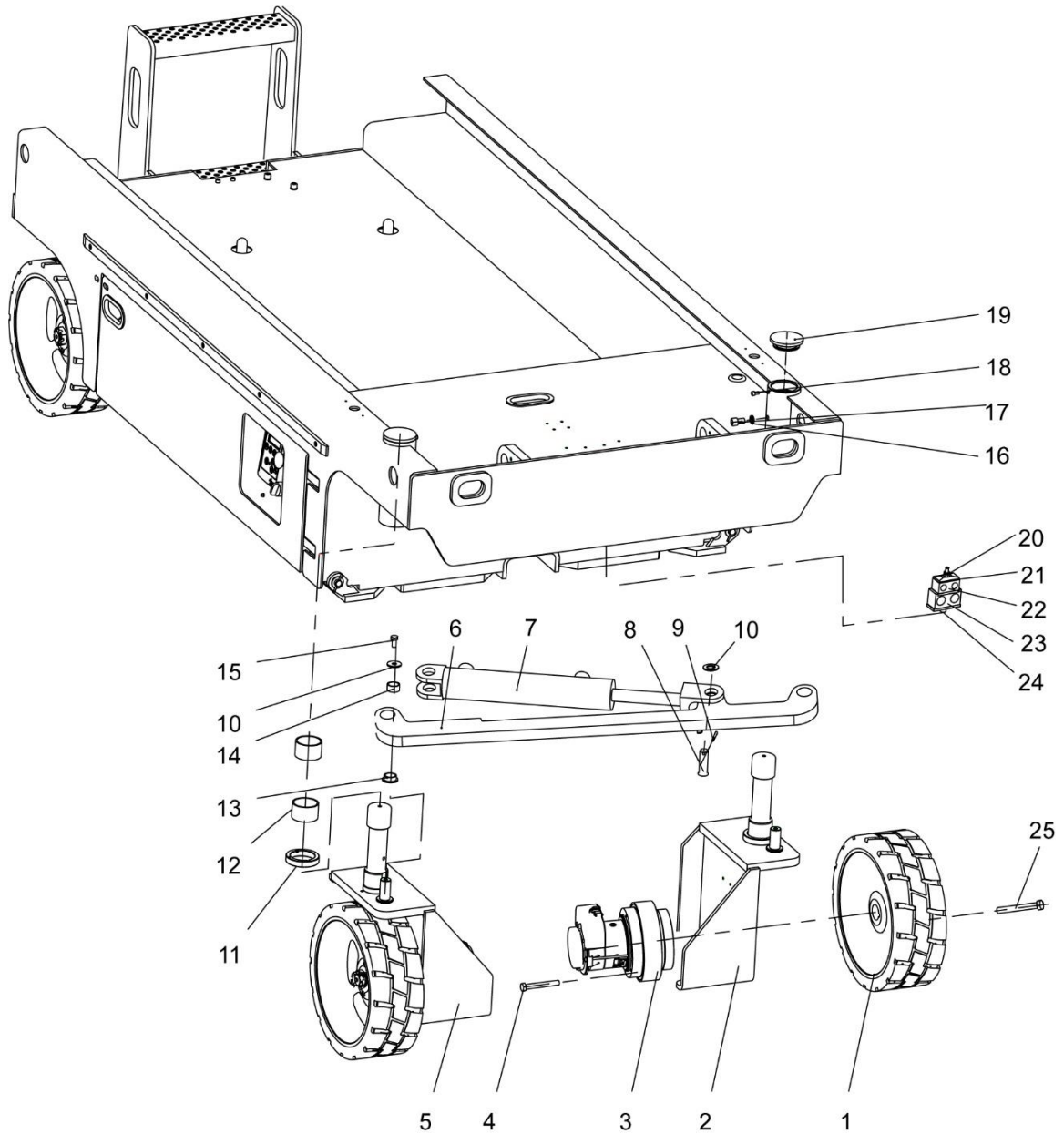


ZS1932/ZS1930DC(AC/ACW) Front-wheel Steering System

NO.	Material No.	Item and Spec	Units	Remark
1	1030800656	Tire	2	
2	00775302810400000	Left steering wheel carrier	1	
	00775302890400000	Left steering wheel carrier (ZS1932ACW)	1	
	00775302870400000	Left steering wheel carrier (ZS1930AC)	1	
3	1020005638	Electric machinery (ZS1930DC)	2	
	1020005624	Electric machinery (ZS1930AC/ZS1932ACW)	2	
4	1040000970	Bolt 3/8-16UNC-30-8.8	12	GB/T5786-2000
5	00775302810400000	Right steering wheel carrier (ZS1930DC)	1	
	00775302890200000	Right steering wheel carrier (ZS1932ACW)	1	
	00775302870600000	Right steering wheel carrier (ZS1930AC)	1	
6	00775302800001060	Steering linkage	1	
7	1010201475	Steering cylinder	1	
8	1040500038	Pin B20×50	2	GB/T882-1986
9	1040500394	Split pin 5×40	2	GB/T91-2000
10	00775302800001050	Copper washer I	4	
11	00775302800001030	Wearing ring	2	
12	1054400310	Composite bush	4	
13	1054400339	Composite bush	2	
14	1040300081	Washer 12	2	GB/T96.1-2002
15	1040200507	Bolt M12	2	GB/T889.1-2000

ZS1932/ZS1930DC(AC/ACW) Front-wheel Steering System

CHASSIS

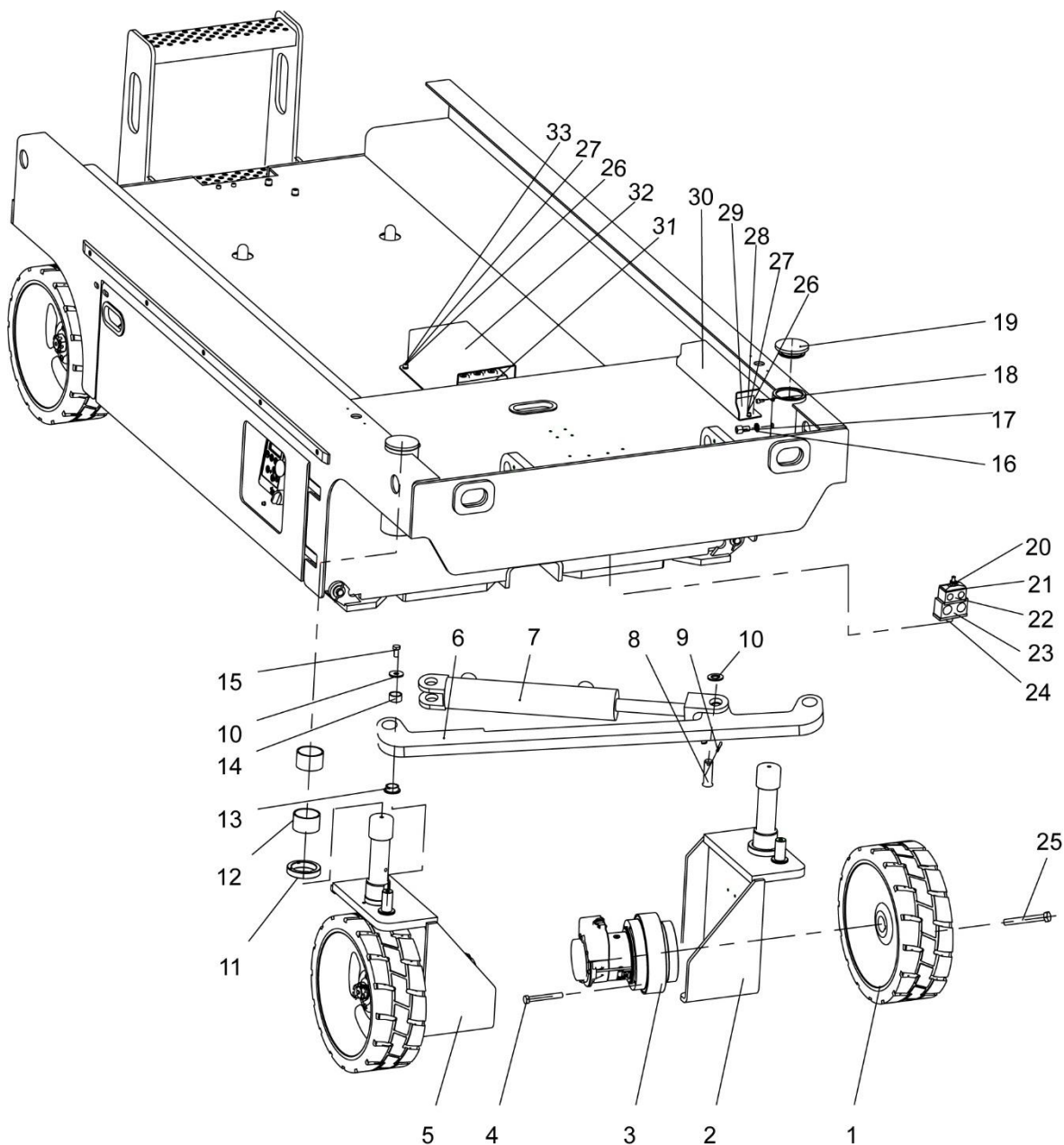


ZS1932/ZS1930DC(AC/ACW) Front-wheel Steering System

NO.	Material No.	Item and Spec	Units	Remark
16	1040300054	Washer 12	2	GB/T93-1987
17	1040100157	Screw M12×20-8.8	2	GB/T70.1-2000
18	1040100058	Screw M6×16-8.8	2	GB/T70.1-2000
19	00775302800001020	End cover	2	
20	1040200503	Nut M8-8	1	GB/T889.1-2000
21	1990201348	Cover plate	1	
22	1019901543	Twin tube clamp	1	
23	1990201778	Twin tube clamp	1	
24	1040100501	Screw M8×100-8.8	1	GB/T70.1-2008
25	1040005789	Bolt M12×1.5×30-8.8	10	GB/T16674.2-2004

ZS1932/ZS1930DC(AC/ACW)-Li Front-wheel Steering System

CHASSIS

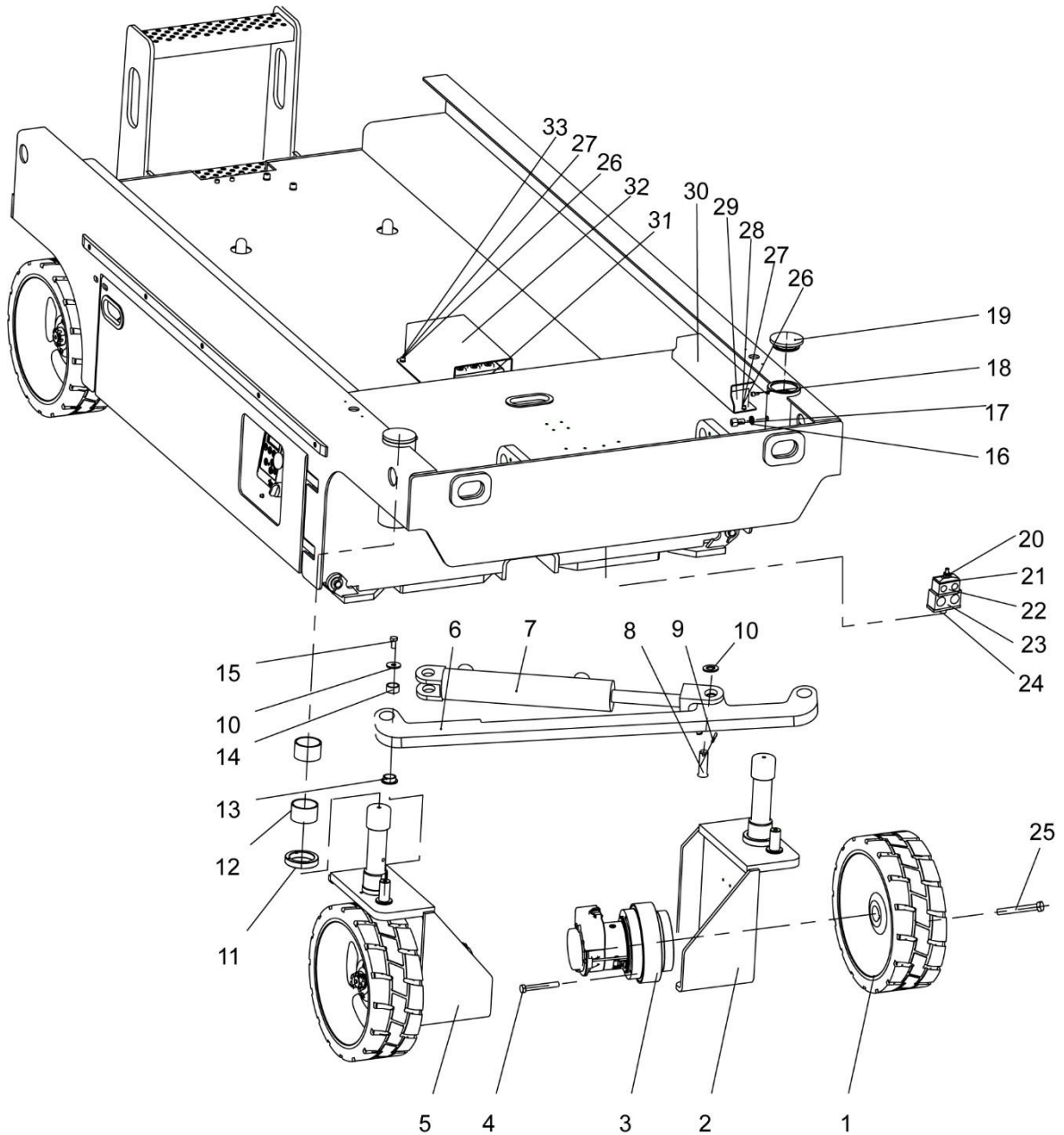


ZS1932/ZS1930DC(AC/ACW)-Li Front-wheel Steering System

NO.	Material No.	Item and Spec	Units	Remark
1	1030800656	Tire	2	
2	00775302810400000	Left steering wheel carrier	1	
	00775302890400000	Left steering wheel carrier (ZS1932ACW-Li)	1	
	00775302870400000	Left steering wheel carrier (ZS1930AC-Li)	1	
3	1020005638	Electric machinery (ZS1930DC-Li)	2	
	1020005624	Electric machinery (ZS1930AC-Li/ZS1932ACW-Li)	2	
4	1040000970	Bolt 3/8-16UNC-30-8.8	12	GB/T5786-2000
5	00775302810400000	Right steering wheel carrier (ZS1930DC-Li)	1	
	00775302890200000	Right steering wheel carrier (ZS1932ACW-Li)	1	
	00775302870600000	Right steering wheel carrier (ZS1930AC-Li)	1	
6	00775302800001060	Steering linkage	1	
7	1010201475	Steering cylinder	1	
8	1040500038	Pin B20×50	2	GB/T882-1986
9	1040500394	Split pin 5×40	2	GB/T91-2000
10	00775302800001050	Copper washer I	4	
11	00775302800001030	Wearing ring	2	
12	1054400310	Composite bush	4	
13	1054400339	Composite bush	2	
14	1040300081	washer 12	2	GB/T96.1-2002
15	1040200507	Nut M12	2	GB/T889.1-2000
16	1040300054	washer 12	2	GB/T93-1987
17	1040100157	Screw M12×20-8.8	2	GB/T70.1-2000
18	1040100058	Screw M6×16-8.8	2	GB/T70.1-2000
19	00775302800001020	End cover	2	
20	1040200503	Nut M8-8	1	GB/T889.1-2000

ZS1932/ZS1930DC(AC/ACW)-Li Front-wheel Steering System

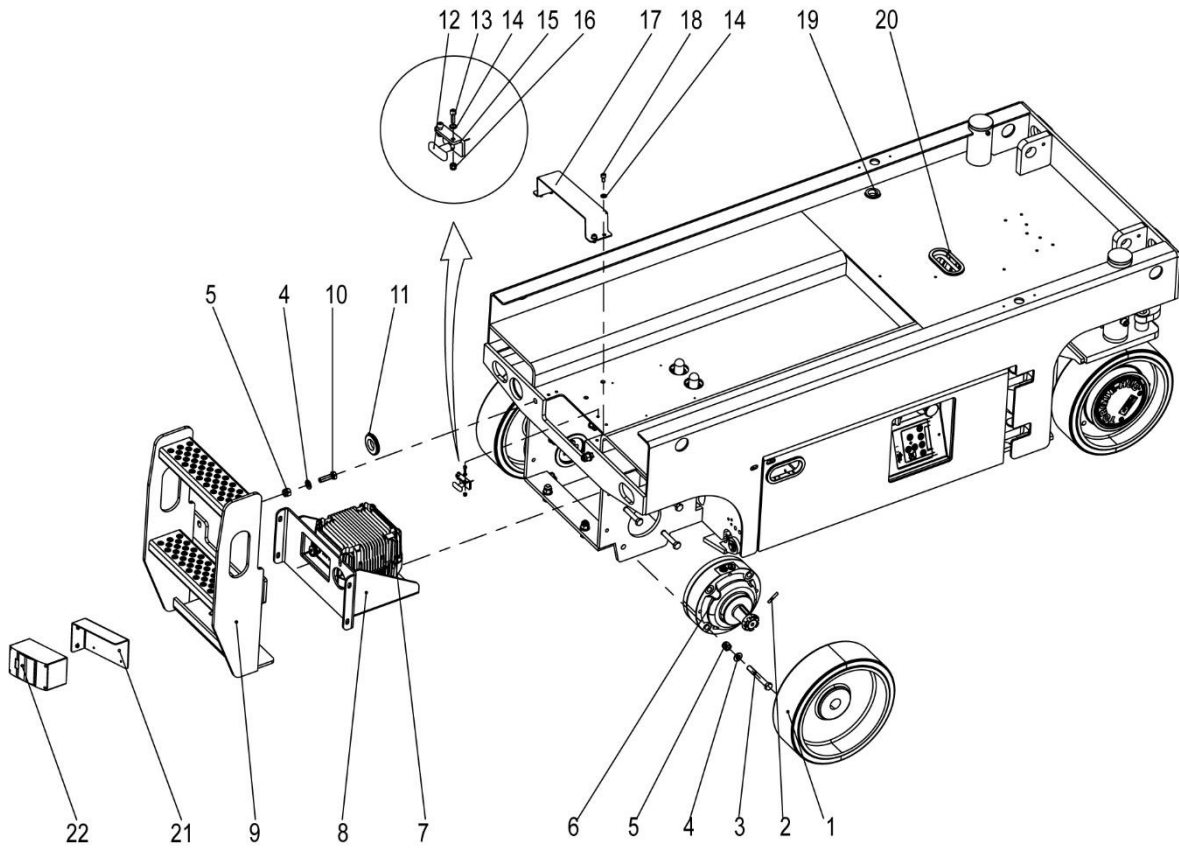
CHASSIS



ZS1932/ZS1930DC(AC/ACW)-Li Front-wheel Steering System

NO.	Material No.	Item and Spec	Units	Remark
21	1990201348	Cover plate	1	
22	1019901543	Twin tube clamp	1	
23	1990201778	Twin tube clamp	1	
24	1040100501	Screw M8×100-8.8	1	GB/T70.1-2008
25	1040005789	Bolt M12×1.5×30-8.8	10	GB/T16674.2-2004
26	1040300048	Washer 5-200HV	10	GB/T97.1-2002
27	1040300060	Washer 5	10	GB/T93-1987
28	1040100378	Screw M5×20-8.8	6	GB/T70.1-2000
29	1020605470	Braking resistor	1	
30	00775302830001020	Resistance cover	1	
31	1020202270	Brake Module	1	
32	00775302830001010	Brake cover	1	
33	1040102341	Screw M5×12-8.8	4	GB/T70.1-2000

ZS1930DC/AC Series Ladder



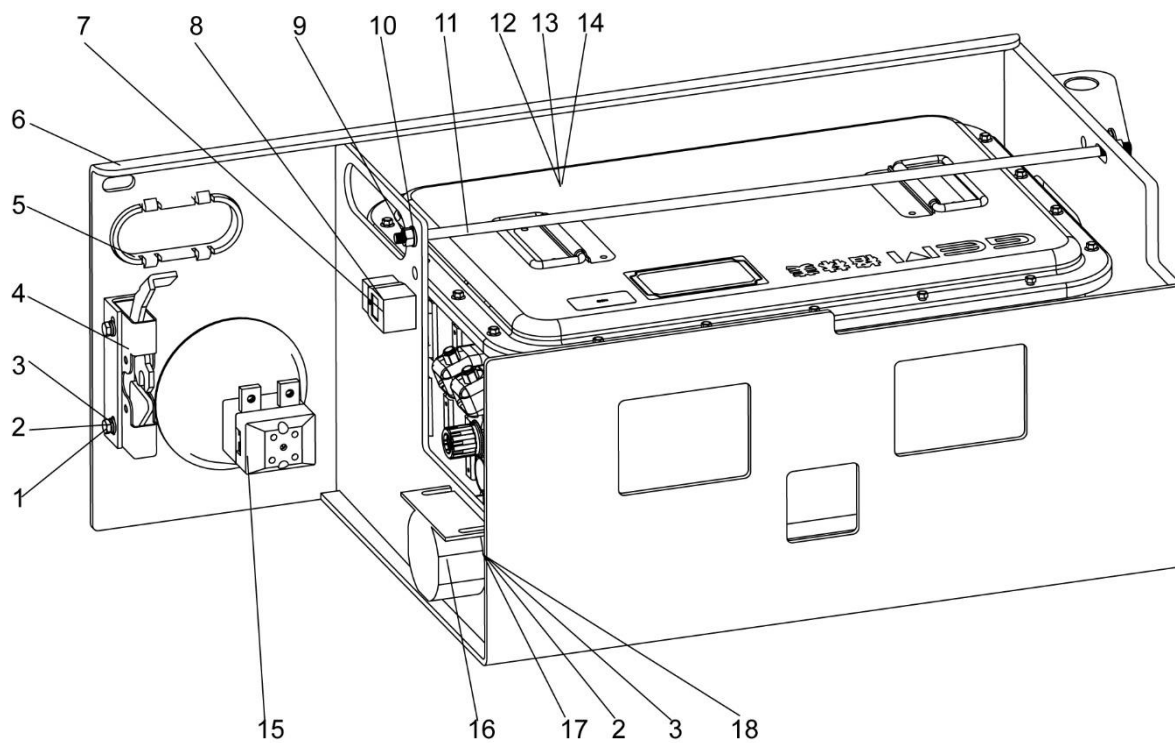
ZS1930DC/AC Series Ladder

NO.	Material No.	Item and Spec	Units	Remark
1	1030800655	Tire	2	
2	1040500535	Split pin 4×80	2	GB/T91-2000
3	1040000225	Bolt M12×90-8.8	8	GB/T5783-2000
4	1040300526	Washer 12	12	GB/T97.1-2002
5	1040200507	Nut M12-8	12	GB/T889.1-2000
6	1059900526	Brake	2	
7	1029907622	Vehicle-mounted battery charger (ZS1930DC/AC)	1	
	1029907624	Vehicle-mounted battery charger (ZS1930DC-Li/AC-Li)	1	
8	00775306320410000	Battery charger Tray	1	
9	00775302802200000	Ladder	1	
10	1040004201	Bolt M12×40-8.8	4	GB/T801-1998
11	00775602801601010	Coil III	1	
12	1100700162	T handle (Red)	1	
13	1040100055	Screw M6×20-8.8	2	GB/T70.1-2000
14	1040300051	Washer 6	6	GB/T97.1-2002
15	00775605200401030	Lower stay wire bracket	1	
16	1040200506	Nut M6-8	2	GB/T889.1-2000
17	00775302800001070	Protective cover	1	
18	1040100127	Screw M6×12-8.8	4	GB/T70.1-2000
19	00775602800001180	Coil II	2	
20	00775602801601040	Protecting bush II	1	
21	00775302802400000	Box holder	1	
22	1020605443	Residual current circuit breaker	1	

ZS1930HA/AC Series Hydraulic Tray 1

NO.	Material No.	Item and Spec	Units	Remark
1	1040100421	Screw M8×20-8.8	6	GB/T70.3-2000
2	00775302810210000	Hydraulic Tray box (ZS1930AC Series)	1	
	00775302880410000	Hydraulic Tray box ZS1930HA Series)	1	
3	1010305936	Control valve (ZS1930HA)	1	
	1010306182	Control valve (ZS1930HA-Li)	1	
	1010306187	Control valve (ZS1930AC)	1	
	1010306289	Control valve (ZS1930AC-Li)	1	
4	1010001885	Hydraulic pump	1	
5	1040300067	Washer 10	2	GB/T93-1987
6	1040004607	Bolt 3/8-24UNF-1-10.9	2	ASME B18.2.1- 2010
7	1020005153	Motor (ZS1930AC Series)	1	
	1020005748	Hydraulic pump drive motor (ZS1930HA Series)	1	
8	1040005783	Screw 1/4-20UNC×15-8.8	4	ASME B18.2.1- 2010
9	1040200304	Nut M6-8	4	GB/T889-1986
10	1020104201	Motor driver (ZS1930HA Series)	1	
	1020104202	Motor driver (ZS1930AC Series)	1	
11	1040300051	Washer 6	2	GB/T97.1-2002
12	1011300149	Tank	1	
13	1040004508	Bolt M10×45-8.8	2	GB/T5783-2000
14	1040200504	Nut M10	2	GB/T889.1-2000
15	1040301697	Washer 4	2	GB/T97.1-2002
16	1040300044	Washer 4	2	GB/T93-1987
17	1029804041	Screw M4×25-4.8	2	GB/T70.1-2000
18	1020521389	Key switch	1	
19	1020304979	Breaker	1	
20	1020502039	Emergency stop button	1	
21	1020104088	Ground control assembly	1	

ZS1930HD(DC/HA/AC-Li)/ZS1932ACW-Li Battery Tray

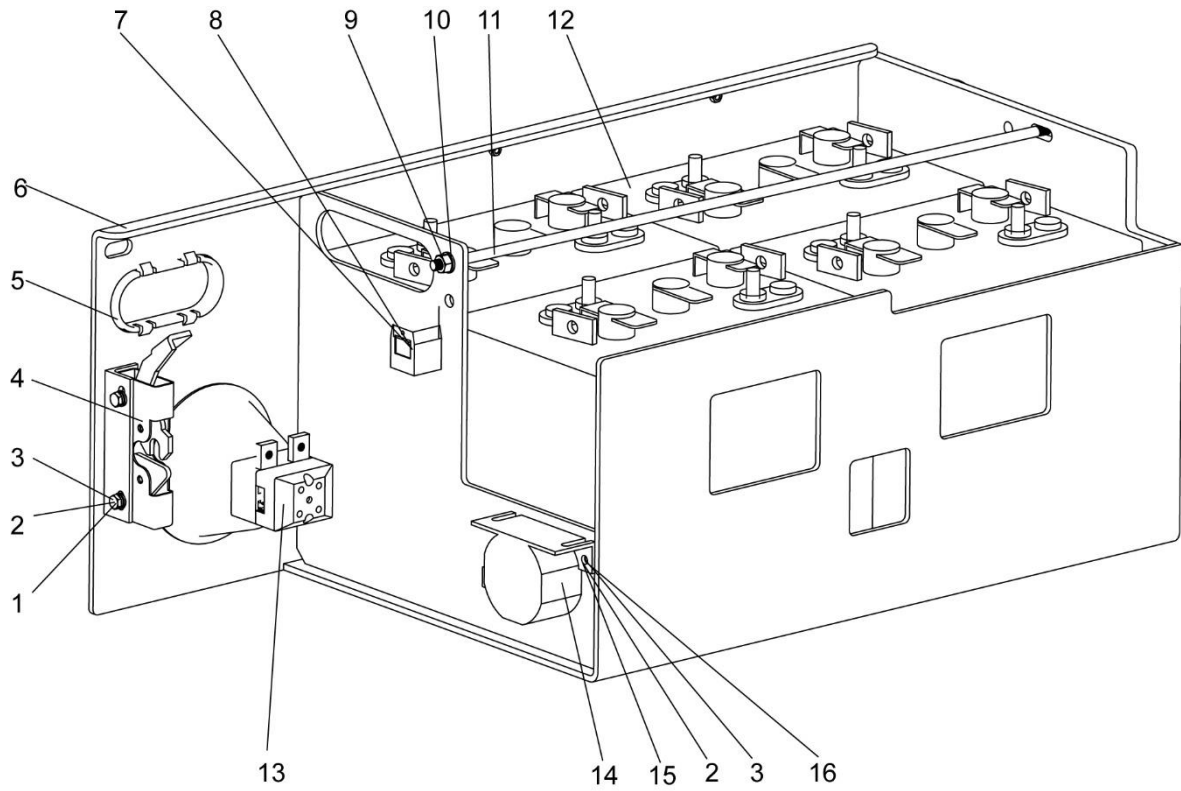


CHASSIS

ZS1930HD(DC/HA/AC-Li)/ZS1932ACW-Li Battery Tray

NO.	Material No.	Item and Spec	Units	Remark
1	1040000076	Bolt M6×25-8.8	2	GB/T5783-2000
2	1040300062	Washer 6	4	GB/T93-1987
3	1040300051	Washer 6	4	GB/T97.1-2002
4	1109900766	Battery door lock	1	
5	00775602801601040	Protecting bush II	1	
6	00775302821010000	Battery Tray box	1	
7	1020300083	Common relay (ZS1930HD-Li/DC-Li)	1	
	1020305334	Common relay (ZS1930HA-Li/AC-Li/ZS1932ACW-Li)	1	
8	1040102716	Screw M4×35	1	GB/T70.1-2000
9	1040201078	Nut M8	2	GB/T6170-2000
10	1040300230	Washer 8	2	GB/T97.1-2002
11	00775402801001010	Threaded rod	1	GB/T5783-2000
12	1020999016	Battery	1	
13	00775602820201030	Rubber Washer	1	
14	00775302821020000	Counterweight	1	
15	1020521277	Main power switch	1	
16	1029805610	Buzzer	1	1020304982
17	1040100055	Screw M6×20-8.8	2	GB/T70.1-2000
18	1040200506	Nut M6-8	4	GB/T889.1-2000

ZS1930HD(DC/HA/AC)/ZS1932ACW Battery Tray

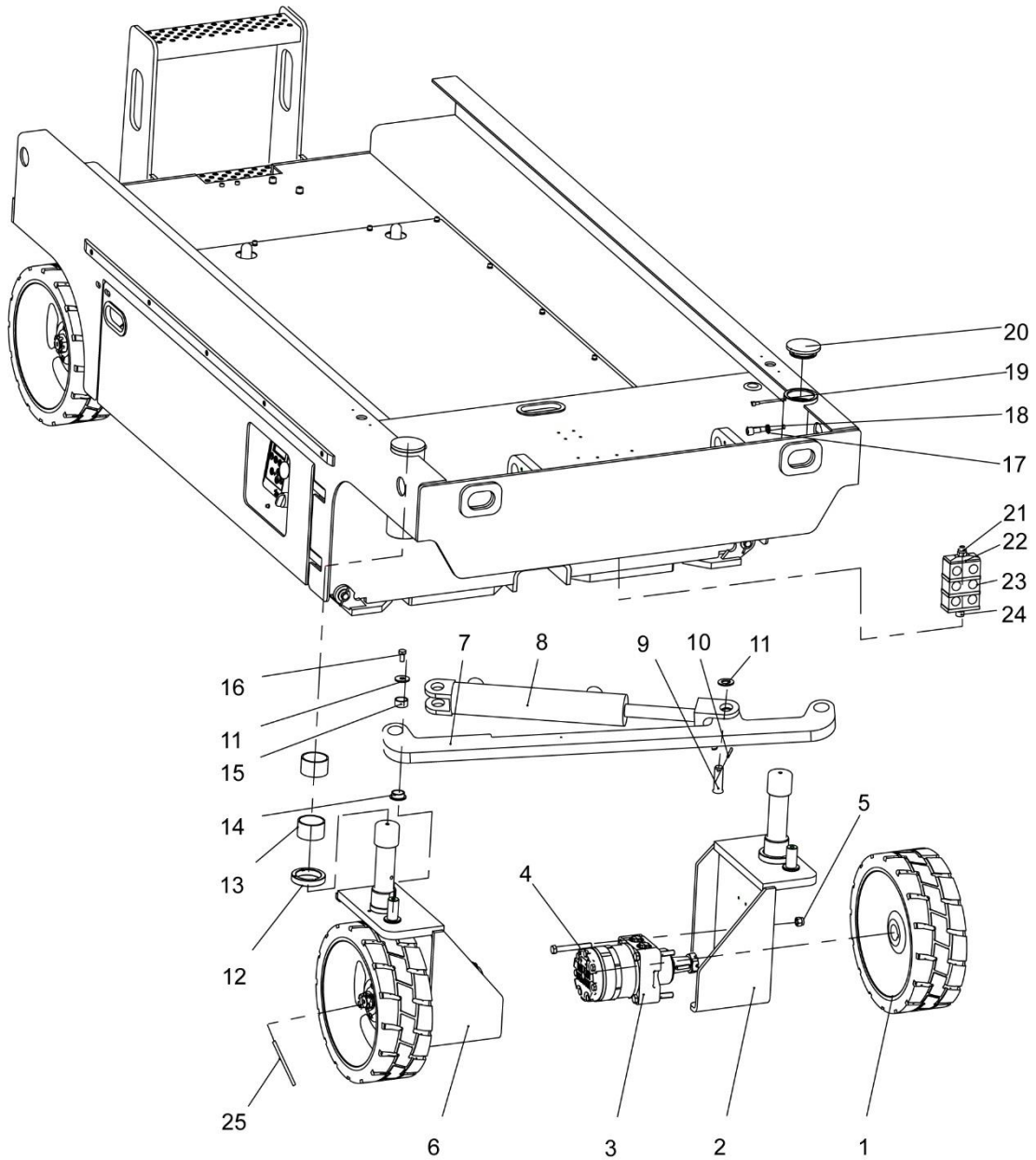


ZS1930HD(DC/HA/AC)/ZS1932ACW Battery Tray

NO.	Material No.	Item and Spec	Units	Remark
1	1040000076	Bolt M6×25-8.8	2	GB/T5783-2000
2	1040300062	Washer 6	8	GB/T93-1987
3	1040300051	Washer 6	8	GB/T97.1-2002
4	1109900766	Battery door lock	1	
5	00775602801601040	Protecting bush II	1	
6	00775302830410000	Battery Tray box	1	
7	1020300083	Common relay (ZS1930HD/ZS1930DC)	1	
	1020305334	Common relay (ZS1930HA/ZS1930AC/ZS1932ACW)	1	
8	1040102716	Screw M4×35	1	GB/T70.1-2000
9	1040201078	Nut M8	2	GB/T6170-2000
10	1040300230	Washer 8	2	GB/T97.1-2002
11	00775402801001010	Threaded rod	1	GB/T5783-2000
12	1020999018	Battery	4	
13	1020521277	Main power switch	1	
14	1020304982	Buzzer	1	
15	1040100055	Screw M6×20-8.8	2	GB/T70.1-2000
16	1040200506	Nut M6-8	4	GB/T889.1-2000

ZS1930HD(HA) Series Front-wheel Steering System

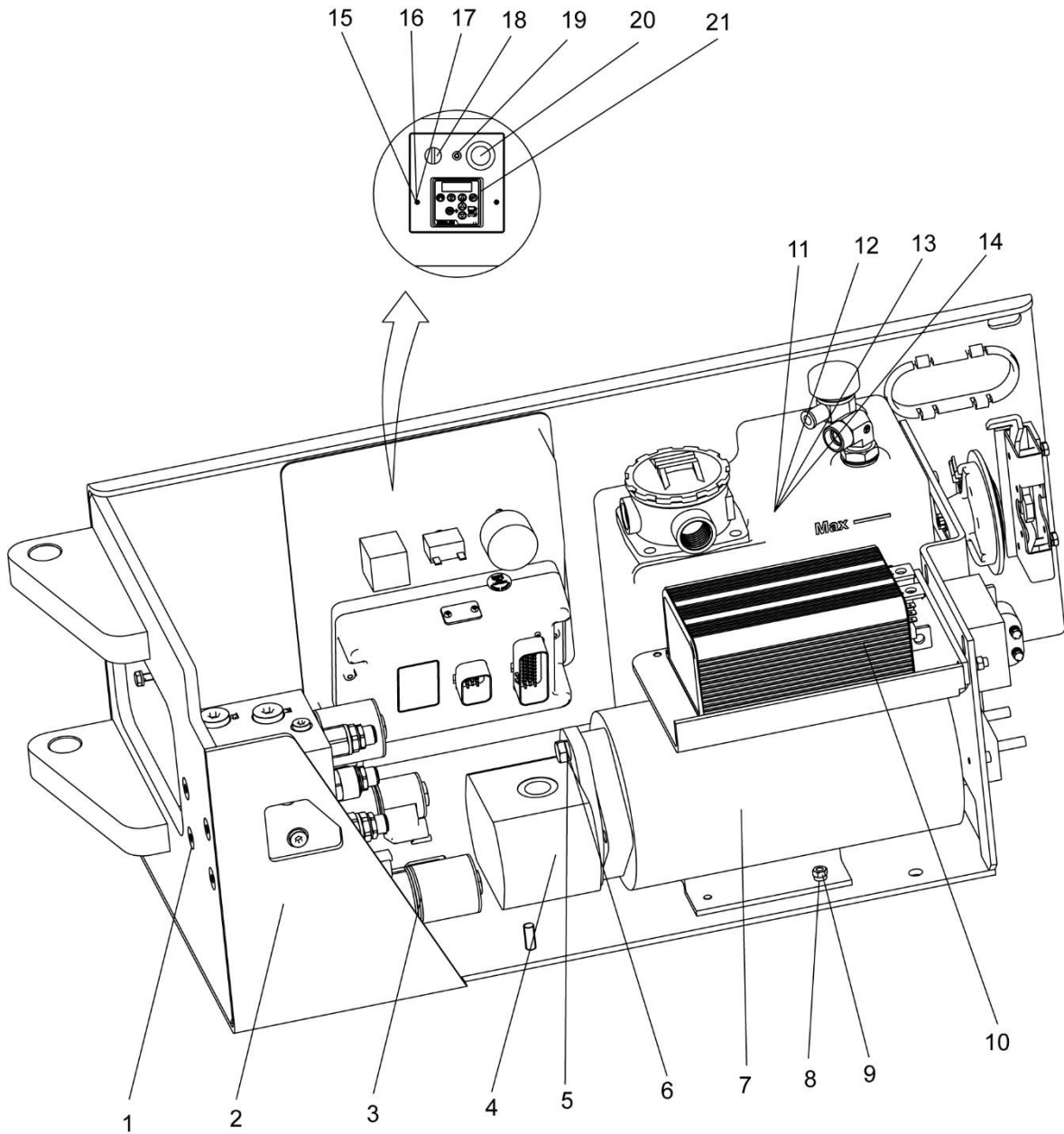
CHASSIS



ZS1930HD(HA) Series Front-wheel Steering System

NO.	Material No.	Item and Spec	Units	Remark
1	1030800592	Tire	2	
2	00775302800400000	Left steering wheel carrier	1	
3	1010100895	Motor	2	
4	1040000225	Bolt M12×90	8	GB/T5783-2000
5	1040200507	Nut M12-8	8	GB/T889.1-2000
6	00775302800600000	Right steering wheel carrier	1	
7	00775302800001060	Steering linkage	1	
8	1010201475	Steering cylinder	1	
9	1040500038	Pin B20×50	2	GB/T882-1986
10	1040500394	Split pin 5×40	2	GB/T91-2000
11	00775302800001050	Copper washer I	4	
12	00775302800001030	Wearing ring	2	
13	1054400310	Composite bush	4	
14	1054400339	Composite bush	2	
15	1040300081	Washer12	2	GB/T96.1-2002
16	1040200507	Nut M12	2	GB/T889.1-2000
17	1040300054	Washer 12	2	GB/T93-1987
18	1040100157	Screw M12×20-8.8	2	GB/T70.1-2000
19	1040100058	Screw M6×16-8.8	2	GB/T70.1-2000
20	00775302800001020	End cover	2	
21	1040200503	Nut M8-8	1	GB/T889.1-2000
22	1990201348	Cover plate	1	
23	1019901543	Twin tube clamp	3	
24	1040100728	Screw M8×110-8.8	1	GB/T70.1-2000
25	1040500535	Pin 4×80	2	GB/T91-2000

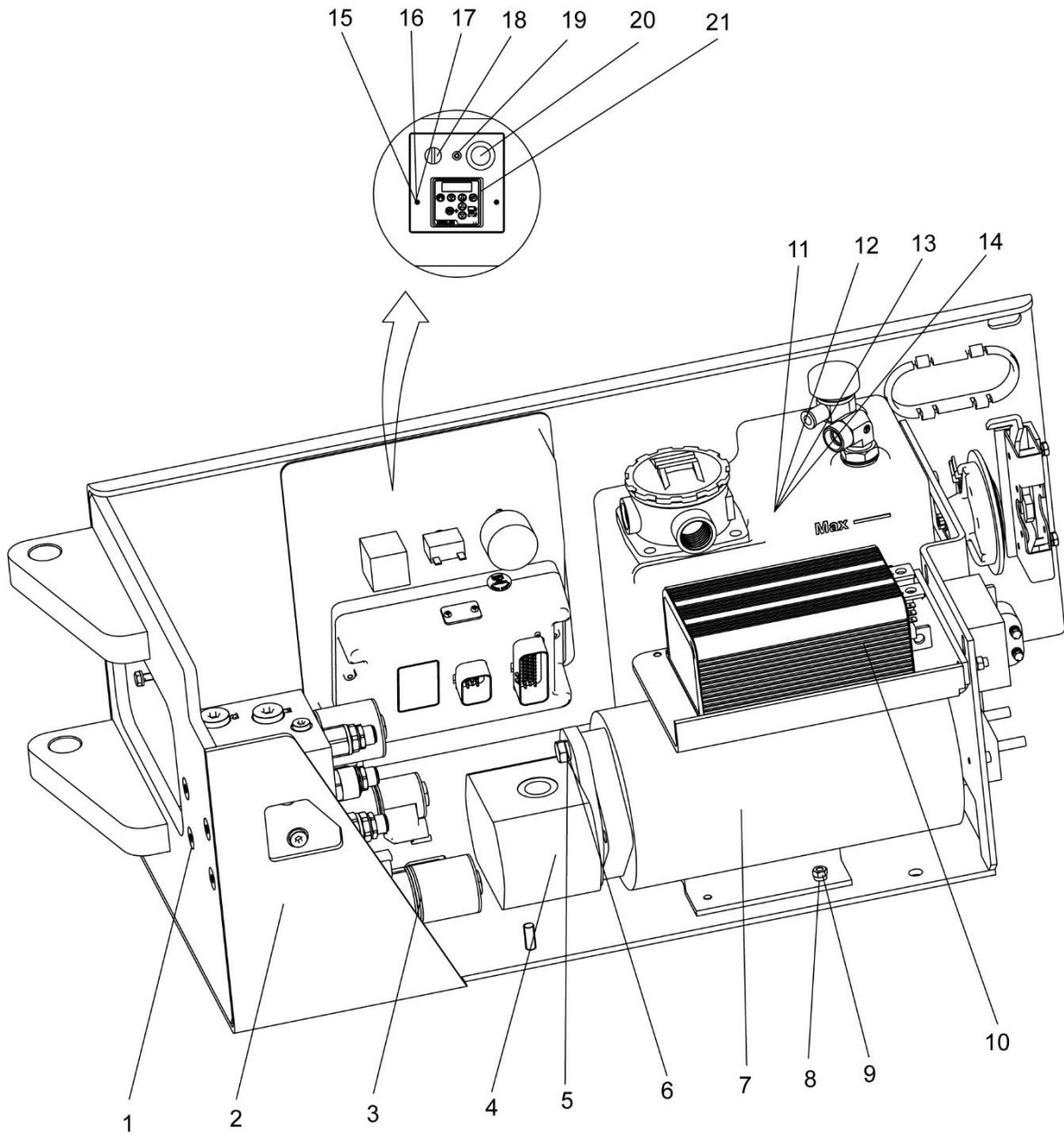
ZS1932ACW/ZS1930(HD/DC) Series Hydraulic Tray 1



ZS1932ACW/ZS1930(HD/DC) Series Hydraulic Tray 1

NO.	Material No.	Item and Spec	Units	Remark
1	1040100421	Screw M8×20-8.8	6	GB/T70.3-2000
2	00775302800810000	Hydraulic Tray box (ZS1930HD Series)	1	
	00775302810210000	Hydraulic Tray box (ZS1930DC/ZS1932ACW Series)	1	
3	1010305936	Control valve (ZS1930HD)	1	
	1010306182	Control valve (ZS1930HD-Li)	1	
	1010306187	Control valve (ZS1930DC/ZS1932ACW)	1	
	1010306289	Control valve (ZS1930DC-Li/ZS1932ACW-Li)	1	
4	1010001885	Hydraulic pump drive motor	1	
5	1040300067	Washer 10	2	GB/T93-1987
6	1040004607	Bolt 3/8-24UNF-1-10.9	2	ASME B18.2.1-2010
7	1020005153	Motor	1	
8	1040005783	Screw 1/4-20UNC×15-8.8	4	ASME B18.2.1-2010
9	1040200304	Nut M6-8	4	GB/T889-1986
10	1020005692	Motor driver (ZS1930HD Series)	1	
	1020005175	Motor driver (ZS1930DC Series)	1	
	1020104202	Motor driver (ZS1932ACW Series)	1	

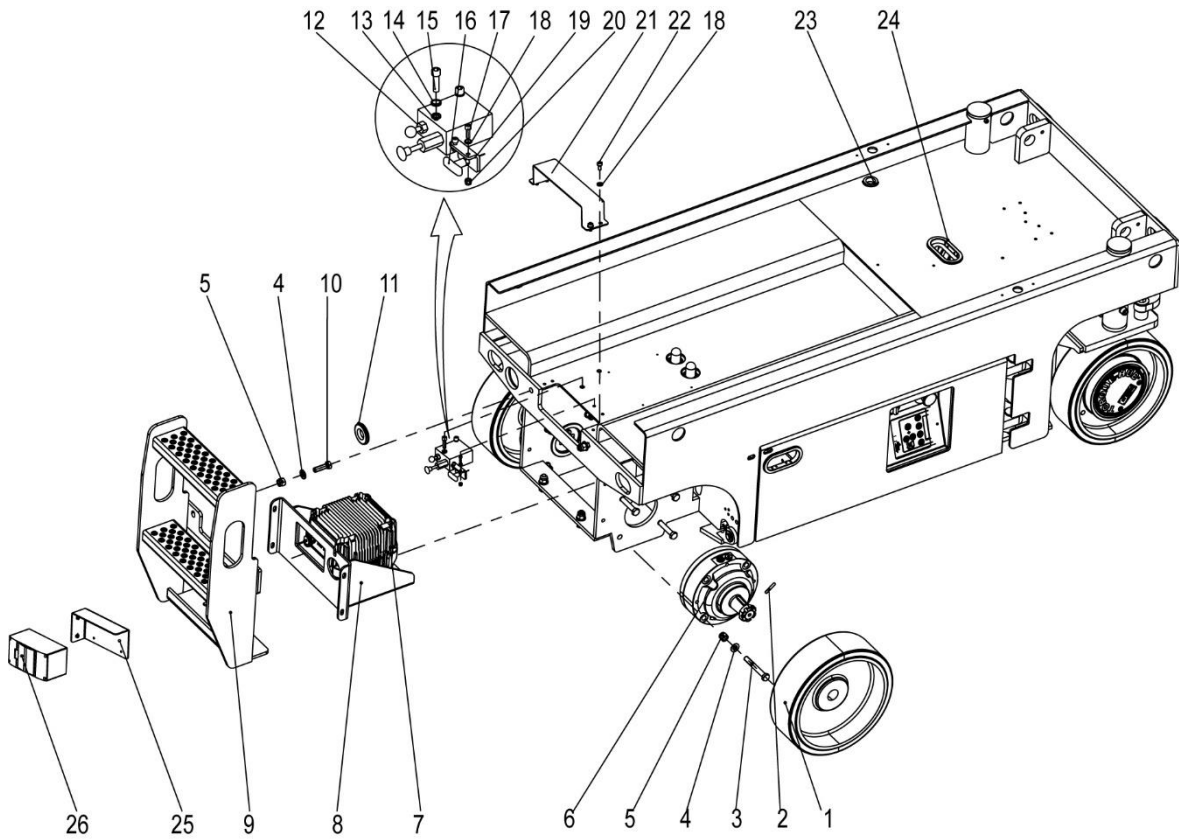
ZS1932ACW/ZS1930(HD/DC) Series Hydraulic Tray 1



ZS1932ACW/ZS1930(HD/DC) Hydraulic Tray 1

NO.	Material No.	Item and Spec	Units	Remark
11	1040300051	Washer 6	2	GB/T97.1-2002
12	1011300149	Tank	1	
13	1040004508	Bolt M10×45-8.8	2	GB/T5783-2000
14	1040200504	Nut M10	2	GB/T889.1-2000
15	1040301697	Washer 4	2	GB/T97.1-2002
16	1040300044	Washer 4	2	GB/T93-1987
17	1029804041	Screw M4×25-4.8	2	GB/T70.1-2000
18	1020521389	Key switch	1	
19	1020304979	Breaker	1	
20	1020502039	Emergency stop button	1	
21	1020104088	Ground control assembly	1	

ZS1930HD/HA Series Ladder



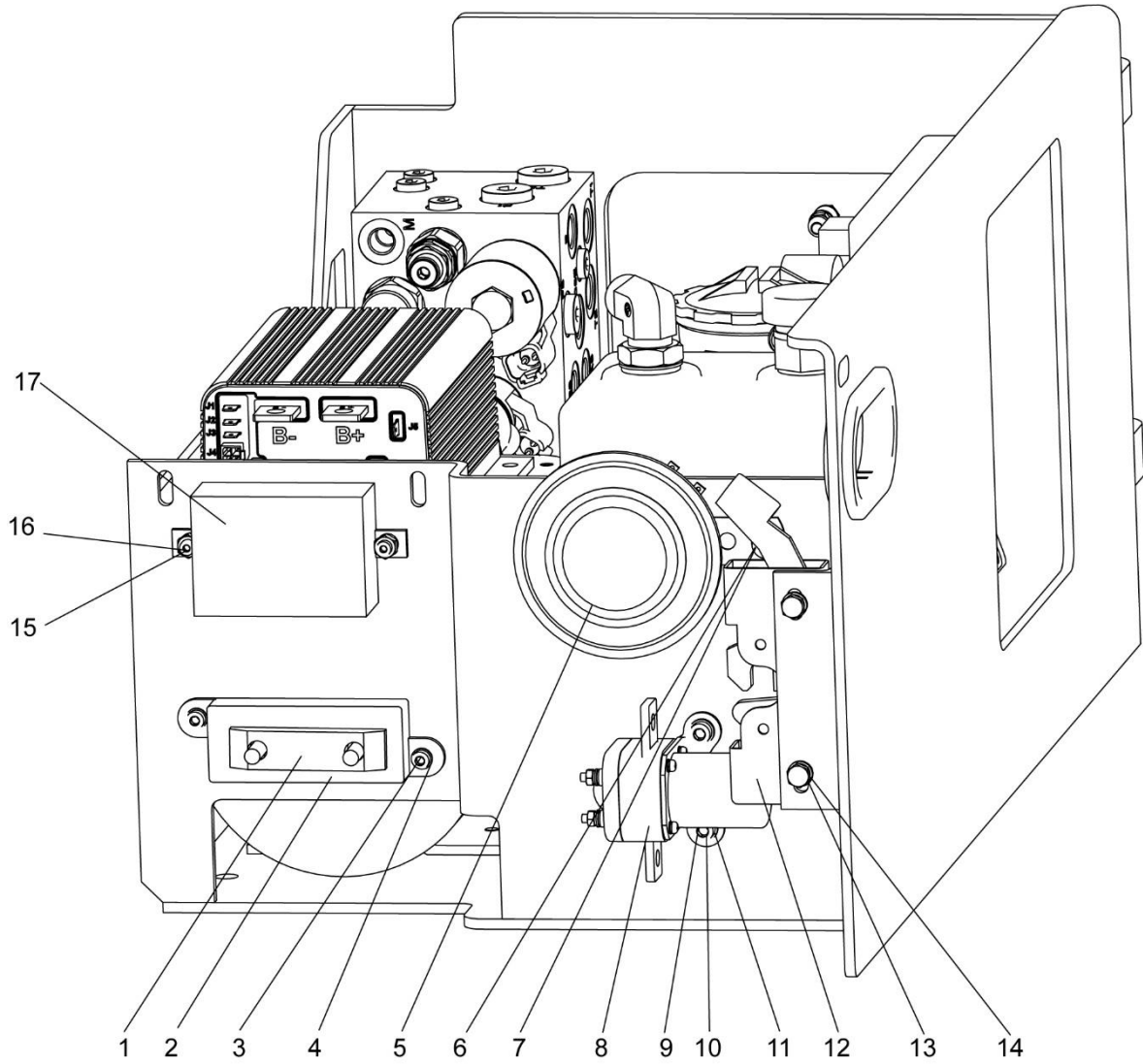
CHASSIS

ZS1930HD/HA Series Ladder

NO.	Material No.	Item and Spec	Units	Remark
1	1030800592	Tire	2	
2	1040500535	Split pin 4×80	2	GB/T91-2000
3	1040000225	Bolt M12×90-8.8	8	GB/T5783-2000
4	1040300526	Washer 12	12	GB/T97.1-2002
5	1040200507	Nut M12-8	12	GB/T889.1-2000
6	1019901335	Brake	2	
7	1029907622	Vehicle-mounted battery charger (ZS1930HD/HA)	1	
	1029907624	Vehicle-mounted battery charger (ZS1930HD-Li/HA-Li)	1	
8	00775306320410000	Battery charger Tray	1	
9	00775302802200000	Ladder	1	
10	1040004201	Bolt M12×40-8.8	4	GB/T801-1998
11	00775602801601010	Coil III	1	
12	1010305937	Manual pump	1	
13	1040300067	Washer 10	2	GB/T93-1987
14	1040300061	Washer 10	2	GB/T97.1-2002
15	1040000970	Bolt 3/8 – 16UNC-30-8.8	2	
16	1100700162	T handle (Red)	1	
17	1040100055	Screw M6×20-8.8	2	GB/T70.1-2000
18	1040300051	Washer 6	6	GB/T97.1-2002
19	00775605200401030	Lower stay wire bracket	1	
20	1040200506	Nut M6-8	2	GB/T889.1-2000
21	00775302800001070	Protective cover	1	
22	1040100127	Screw M6×12-8.8	4	GB/T70.1-2000
23	00775602800001180	Coil II	2	
24	00775602801601040	Protecting bush II	1	
25	00775302802400000	Box holder	1	
26	1020605443	Residual current circuit breaker	1	

ZS1932/ZS1930 Series Hydraulic Tray 2

CHASSIS

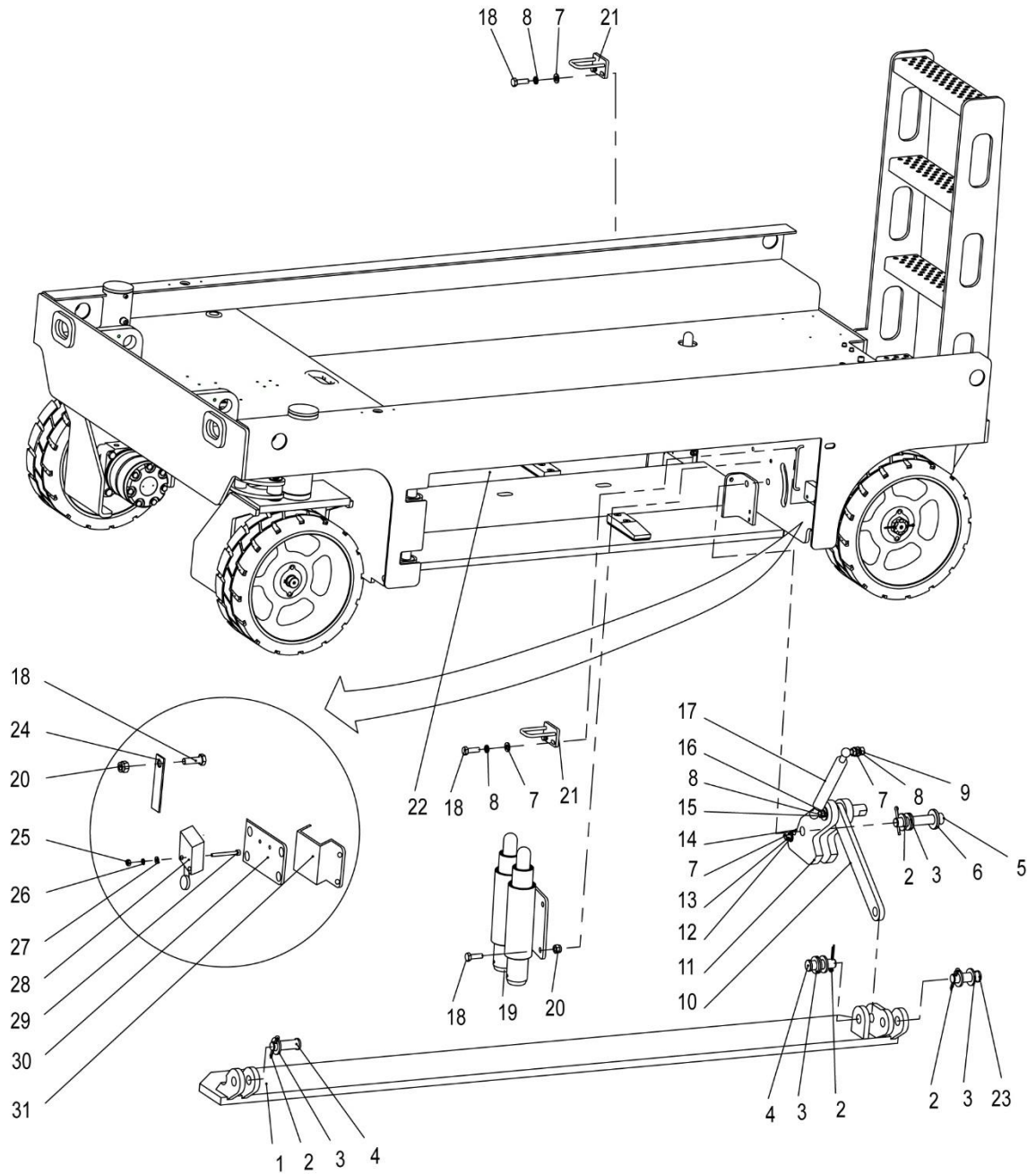


ZS1932/ZS1930 Series Hydraulic Tray 2

NO.	Material No.	Item and Spec	Units	Remark
1	1020604245	Flat fuse	1	
2	1020604246	Fuse holder	1	
3	1040300048	Washer 5	2	GB/T97.1-2002
4	1040102341	Screw M5×12-8.8	2	GB/T70.1-2000
5	1020304978	Basin shaped horn (ZS1930DC/ZS1930AC/ ZS1932ACW Series)	1	
6	1040100886	Screw M8×20-8.8	1	GB/T70.1-2008
7	1040300066	Washer 8	2	GB/T97.1-2002
8	1020304603	Contactora (ZS1930DC/ZS1930HA/ ZS1930AC/ZS1932ACW Series)	1	
9	1040100127	Screw M6×12-8.8	2	GB/T70.1-2000
10	1040200506	Nut M6-8	2	GB/T889.1-2000
11	1040300051	Washer 6	2	GB/T97.1-2002
12	1109900765	Hydraulic door lock	1	
13	1040000076	Bolt M6×25-8.8	2	GB/T5783-2000
14	1040300062	Washer 6	2	GB/T93-1987
15	1040200304	Nut M6-8	2	GB/T889-1986
16	1040100437	Screw M4×16-8.8	2	GB/T70.1-2000
17	1020605226	Follow current protector (ZS1930DC Series)	1	

ZS1932/ZS1930 Series Pothole Guard

CHASSIS

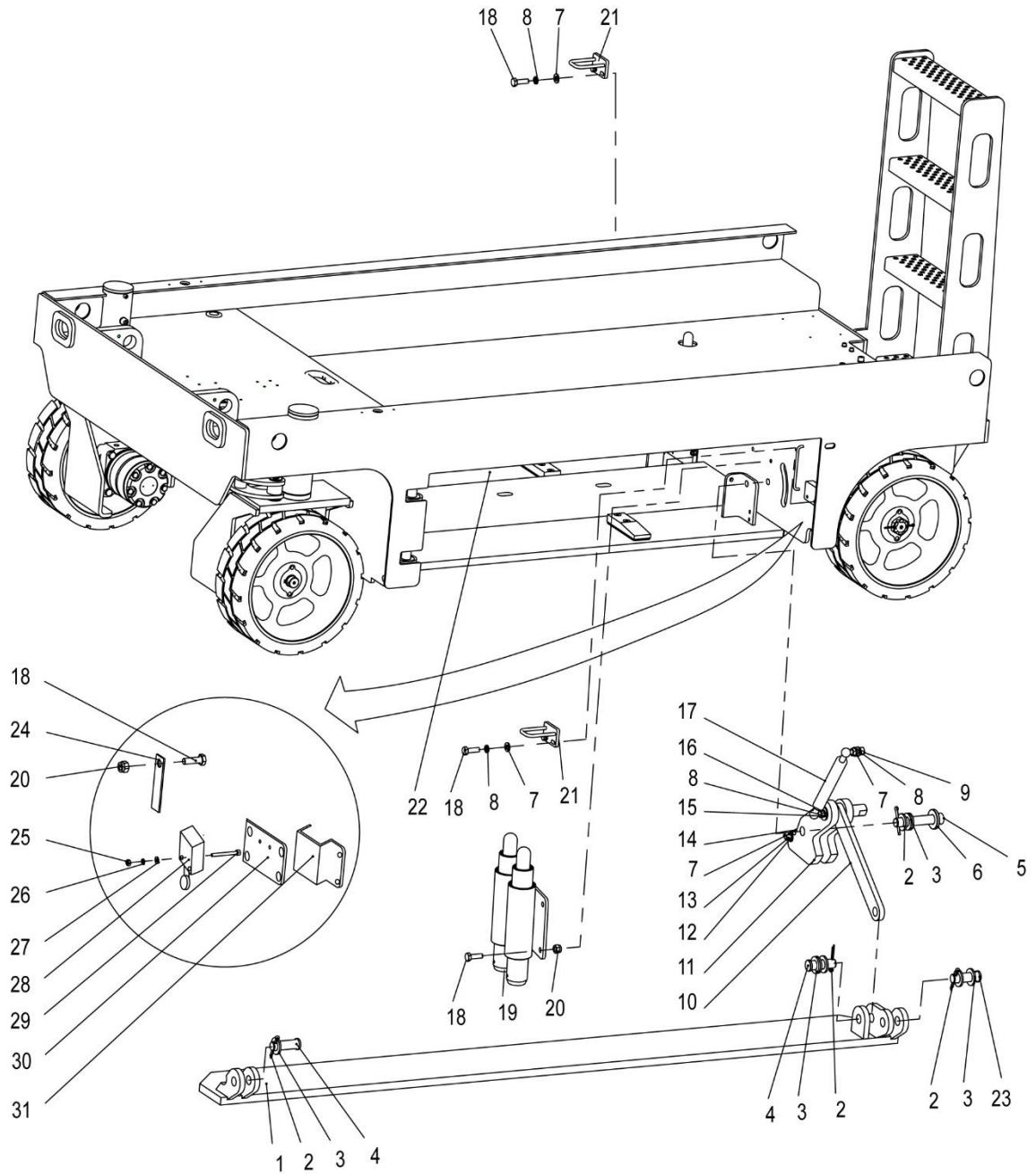


ZS1932/ZS1930 Series Pothole Guard

NO.	Material No.	Item and Spec	Units	Remark
1	00775302801600000	Left pothole plate. (ZS1930HD/HA)	1	
	00775302811400000	Left pothole plate. (ZS1930DC/AC/ ZS1932ACW)	1	
2	1040500054	Split pin 4×40	8	GB/T91-2000
3	1040300052	Washer 16	6	GB/T97.1-2002
4	1040501520	Pin B16×50	4	GB/T882-2000
5	1040500111	Pin B16×90	2	GB/T882-1986
6	00775602800001130	Crank gasket	2	
7	1040300066	Washer 8	8	GB/T97.1-2002
8	1040300063	Washer 8	8	GB/T93-1987
9	1040201078	Nut M8	2	GB/T6170-2000
10	00775302800001010	Crank linkage (ZS1930HD/HA)	2	
	00775302810001010	Crank linkage (ZS1930DC/AC/ ZS1932ACW)	2	
11	00775602801400000	Crank	2	
12	1040500383	Pin B8×50	2	GB/T882-1986
13	1040500212	Split pin 3.2×20	2	GB/T91-2000
14	00775602800001060	Crank trolley	2	
15	00775602800001070	Crank Pin	2	
16	1040300094	Washer 8	2	GB/T96.1-2002
17	1110100353	Gas spring	2	
18	1040000288	Nut M8×25	10	GB/T5783-2000
19	00775302802000000	Conduction band	1	
20	1040200503	Nut M8-8	10	GB/T889.1-2000

ZS1932/ZS1930 Series Pothole Guard

CHASSIS

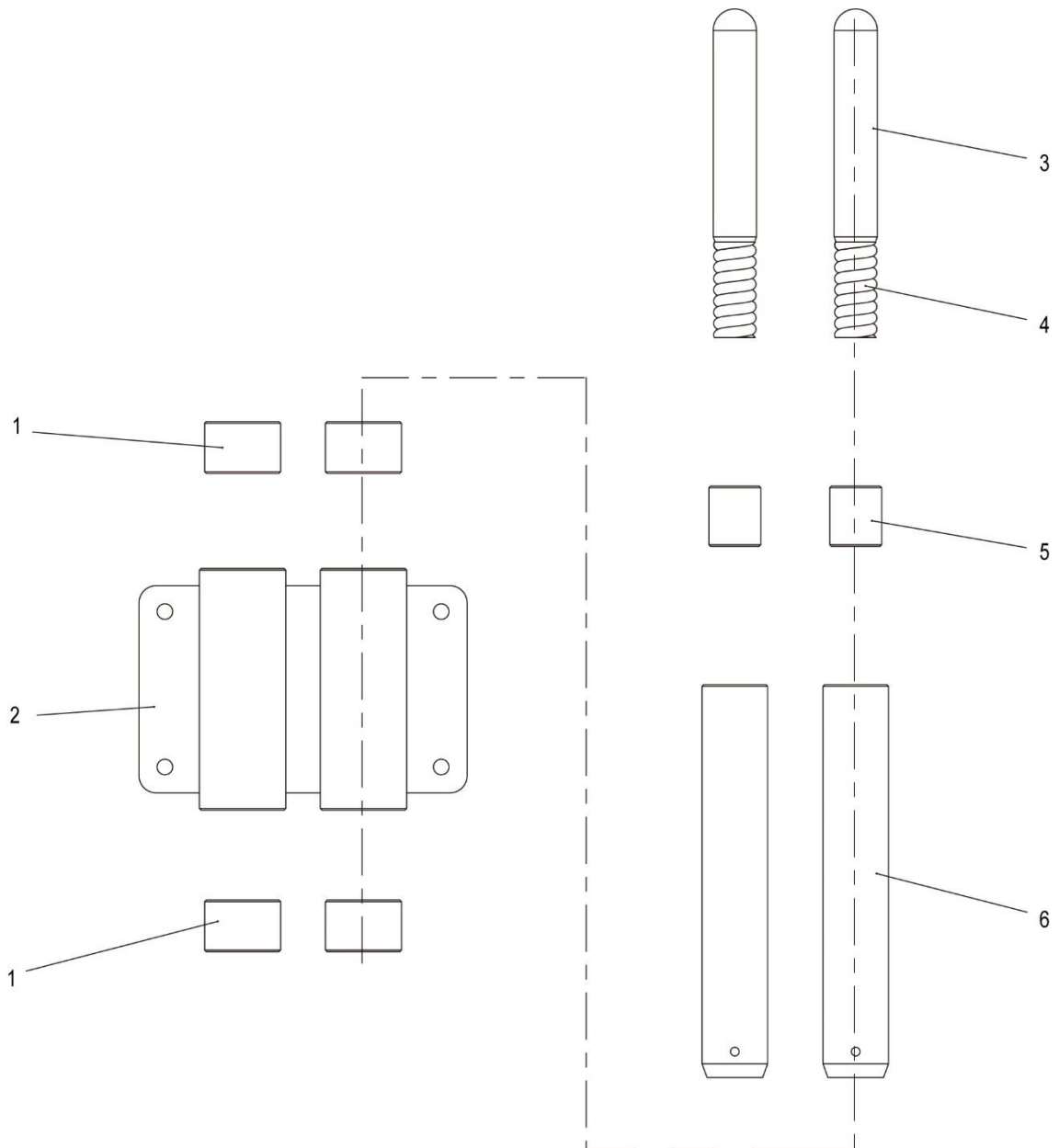


ZS1932/ZS1930 Series Pothole Guard

NO.	Material No.	Item and Spec	Units	Remark
21	00775302801400000	Tray lock seat I	2	
22	00775302801800000	Right pothole plate (ZS1930HD/HA)	1	
	00775302811600000	Right pothole plate (ZS1930DC/AC/ ZS1932ACW)	1	
23	1040500066	Pin B16×55	2	GB/T882-1986
24	1020705980	Conduction band	2	
25	1040200100	Nut M4-8	4	GB/T6170-2000
26	1040300044	Washer 4	4	GB/T93-1987
27	1040301697	Washer 4	4	GB/T97.1-2002
28	1020521804	Limit switch (ZS1930HD)	2	
	1020520944	Limit switch (ZS1930DC/HA/AC/ ZS1932ACW)	2	
29	1040101189	Screw M4×40-8.8	4	GB/T70.1-2000
30	00775306320201030	Switch plate	2	
31	00775306320201040	Switch shield	2	

ZS2632/ZS2032/ZS1932/ZS1930/ZS1530 Series Guide Mechanism

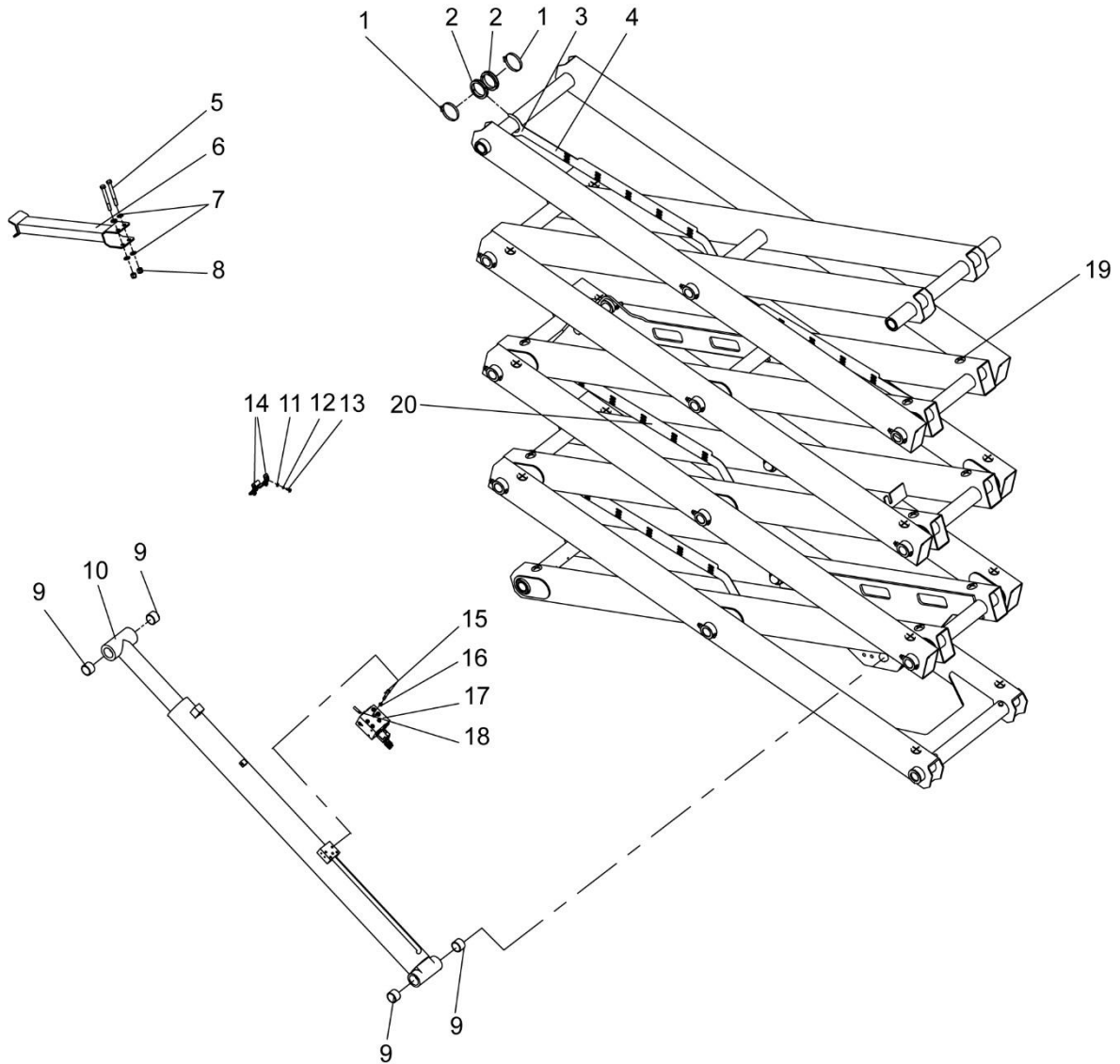
CHASSIS



ZS2632/ZS2032/ZS1932/ZS1930/ZS1530 Series Guide Mechanism

NO.	Material No.	Item and Spec	Units	Remark
1	1054400310	Composite bush 38×44×30	2	
2	00775402801210000	Guide support	1	
3	00775602801201020	Spring support	1	
4	00775602801201030	Spring	1	
5	1054400308	Composite bush 25×30×35	1	
6	00775602801201010	Guide rod (ZS2032/ZS2632 series)	1	
	00775302802001010	Guide rod (ZS1932/ZS1930 series)	1	
	00775202802001010	Guide rod (ZS1530 series)	1	

ZS1932/ZS1930 Series Scissor Arm Accessory



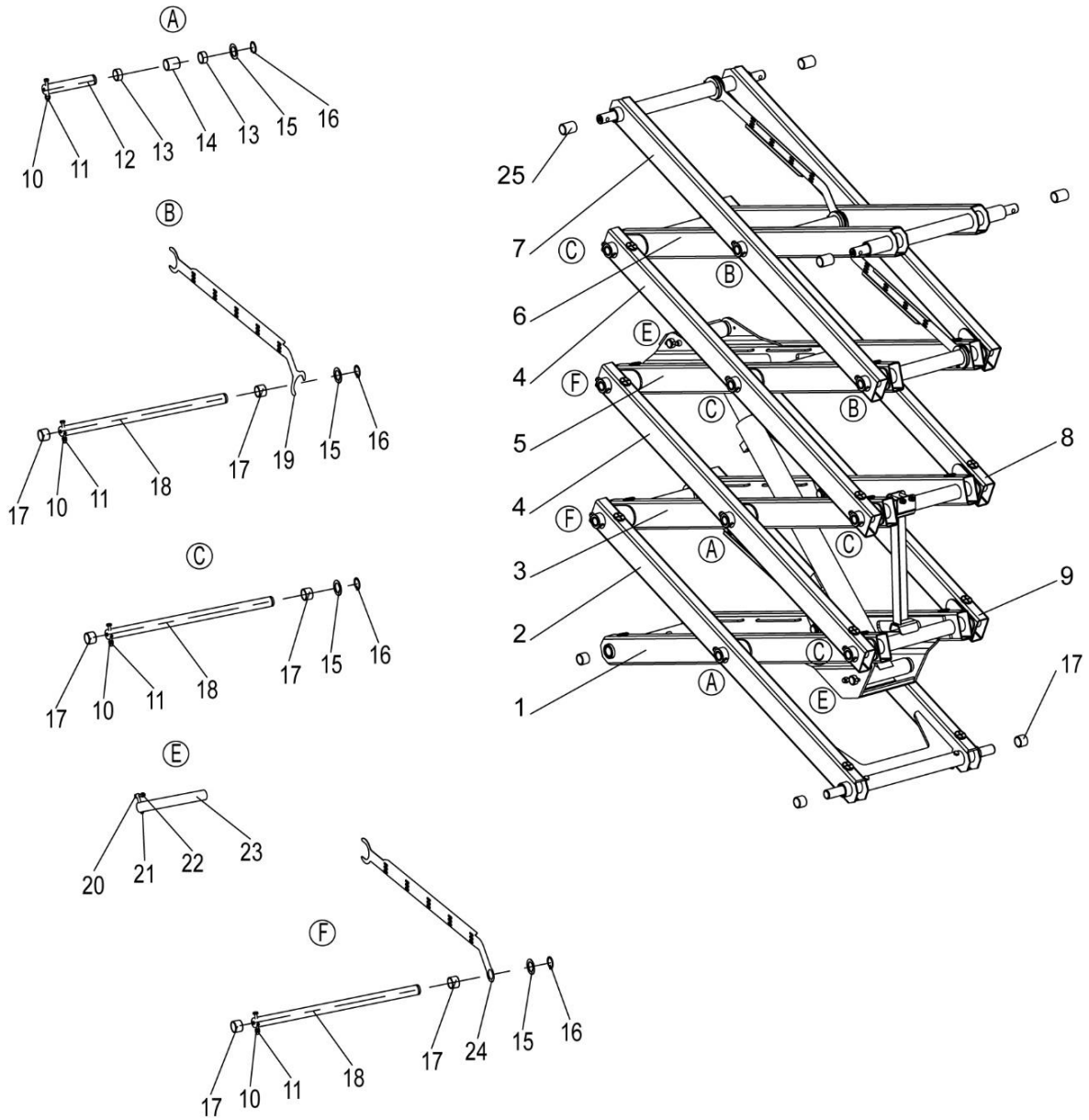
SCISSOR ARM

ZS1932/ZS1930 Series Scissor Arm Accessory

NO.	Material No.	Item and Spec	Units	Remark
1	1990201051	Clamp $\phi 60-\phi 80$	6	
2	00775300310001090	Nylon cover II	12	
3	00775300310001070	End pipe trunking II	2	
4	1089900652	Sealing strip 16 \times 3	6	
5	1040000025	Bolt M10 \times 80-8.8	2	GB/T5782-2000
6	00775300342000000	Safety arm	1	
7	1040300061	Washer 10	4	GB/T97.1-2002
8	1040200504	Nut M10-8	2	GB/T889.1-2000
9	1054400336	Composite bush 38 \times 32 \times 30	4	
10	1010201474	Lift cylinder	1	
11	1040300051	Washer 6	4	GB/T97.1-2002
12	1040300062	Washer 6	4	GB/T93-1987
13	1040100620	Screw M6 \times 16-8.8	4	GB/T818-2000
14	00775300000011070	Limit block	2	
15	1040102034	Screw M8 \times 60-10.9	4	GB/T70.1-2000
16	1040300063	Washer 8	4	GB/T93-1987
17	1010308649	Cylinder control valve	1	
18	1021403993	Pressure sensor	1	
19	00775600300001110	Plastic pad	24	
20	00775300310001060	End pipe trunking I	2	

ZS1932/ZS1930 Series Scissor Arm Pin

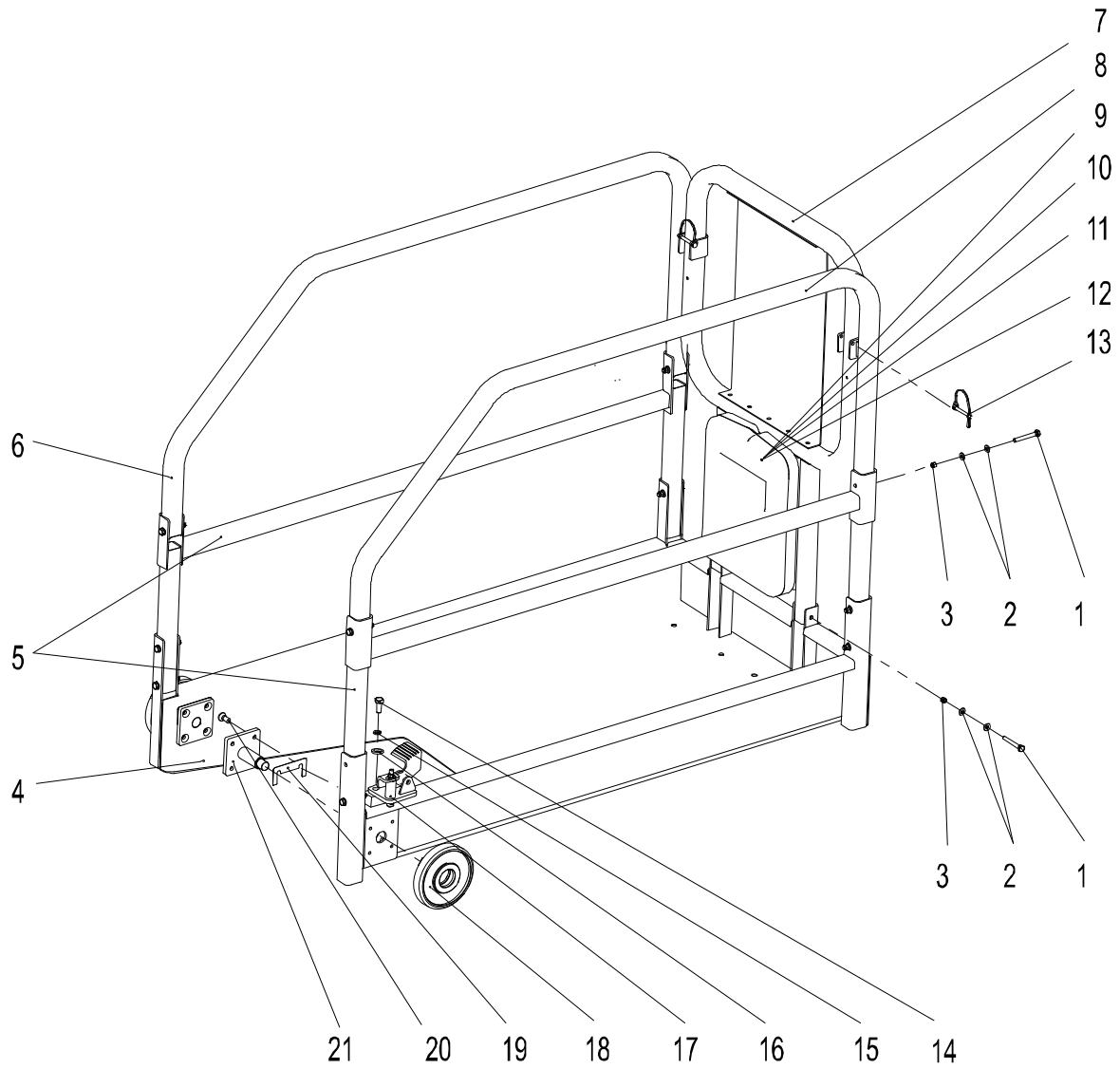
SCISSOR ARM



ZS1932/ZS1930 Series Scissor Arm Pin

NO.	Material No.	Item and Spec	Units	Remark
1	00775300310400000	Internal scissor arm I	1	
2	00775300310200000	External scissor arm I	1	
3	00775300310600000	Internal scissor arm II	1	
4	00775300311200000	External scissor arm II	2	
5	00775300310800000	Internal scissor arm III	1	
6	00775300311000000	Internal scissor arm IV	1	
7	00775300311600000	External scissor arm IV	1	
8	00775300311800000	External scissor arm V	1	
9	00775300311400000	External scissor arm III	1	
10	1040000072	Bolt M10×65-8.8	12	GB/T5782-2000
11	1040200504	Nut M10-8	12	GB/T889.1-2000
12	00775300310001020	Axle II	4	
13	1054400337	Composite bush 38×32×20	8	
14	00775300310001100	Spacer, bearing	4	
15	00775300310001120	Gasket	10	
16	1040300153	Retaining ring 38	12	GB/T894.1-1986
17	1054400336	Composite bush 38×32×20	24	
18	00775300310001010	Axle I	8	
19	00775300310001070	End pipe trunking II	2	
20	1040000689	Bolt M8×35-8.8		
21	00775600000001050	Articulated pin	2	GB/T5782-2000
22	00775300310001030	Axle III	2	
23	1040200503	Nut M8-8	2	GB/T889.1-2000
24	00775300310001060	End pipe trunking I	2	
25	1054400338	Composite bush 38×32×50	4	

ZS1932/ZS1930 Series Extension Deck Installation

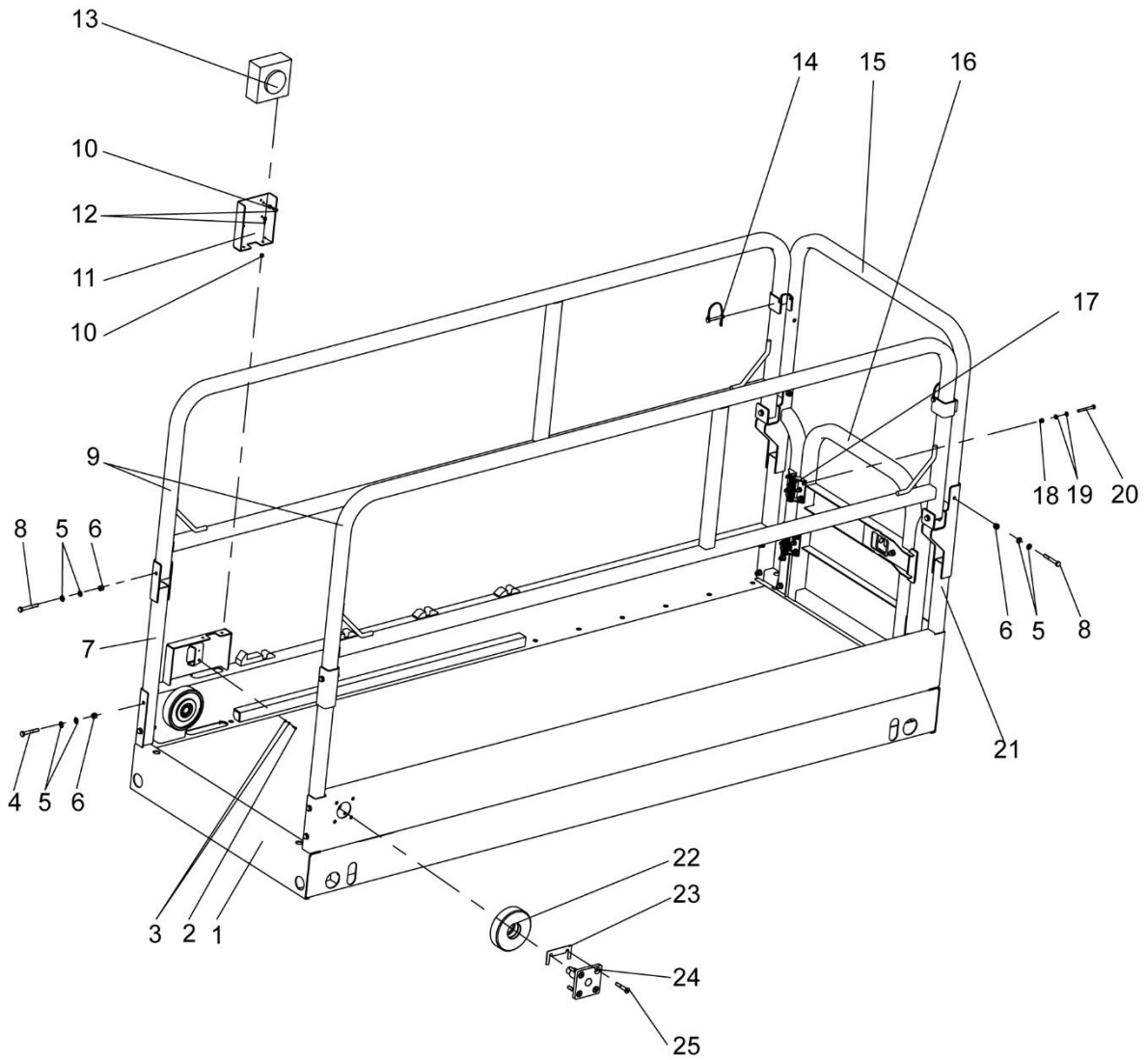


WORK PLATFORM

ZS1932/ZS1930 Series Extension Deck Installation

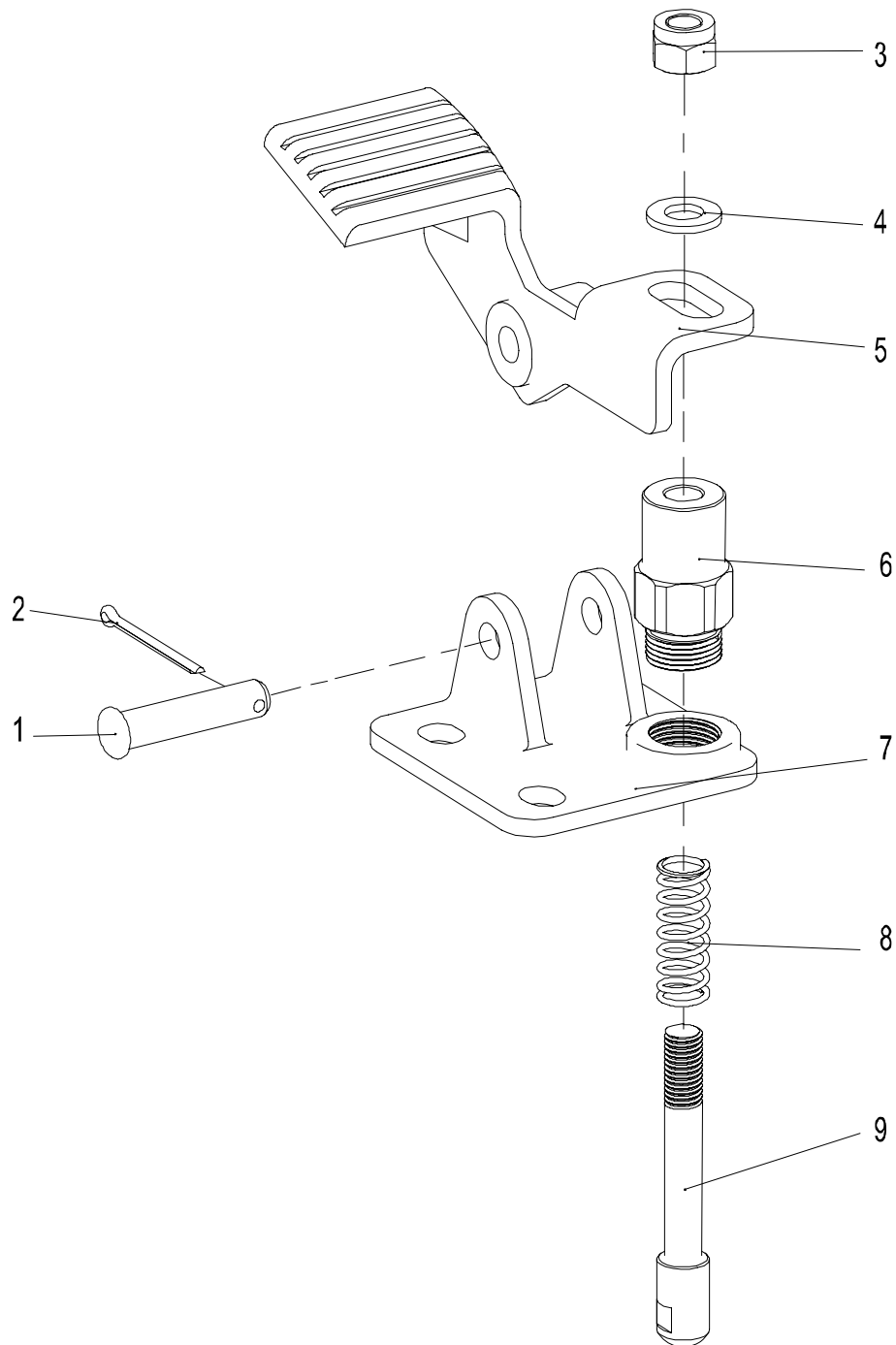
NO.	Material No.	Item and Spec	Units	Remark
1	1040000156	Bolt M8×60	14	GB/T5783-2000
2	1040300066	Washer 8	28	GB/T97.1-2002
3	1040200503	Nut M8-8	14	GB/T889.1-2000
4	00775300101600000	Lower components	1	
5	00775300100600000	Guard rails I	2	
6	00775300101400000	Guard rails IV	1	
7	00775300100800000	Guard rails II	1	
8	00775300101200000	Guard rails III	1	
9	1999904986	Storage box	1	
10	1040102341	Screw M5×12-8.8	4	GB/T70.1-2000
11	1040300048	Washer 5	4	GB/T97.1-2002
12	1040200867	Nut M5	4	GB/T889.1-2000
13	1100400025	D Pin 6.3×55	2	
14	1040000114	Bolt M10×25	2	GB/T5783-2000
15	1040300067	Washer 10	2	GB/T93-1987
16	1040300061	Washer 10	2	GB/T97.1-2002
17	00775600100800000	Pedal	1	
18	00775600102600000	Pulley assembly	2	
19	00775600100001020	Gasket I	2	
20	1040102718	Screw M8×50	8	GB/T70.1-2000
21	00775600102400000	Platform pin mounting base	2	

ZS1932/ZS1930 Series Platform Installation



ZS1932/ZS1930 Series Platform Installation

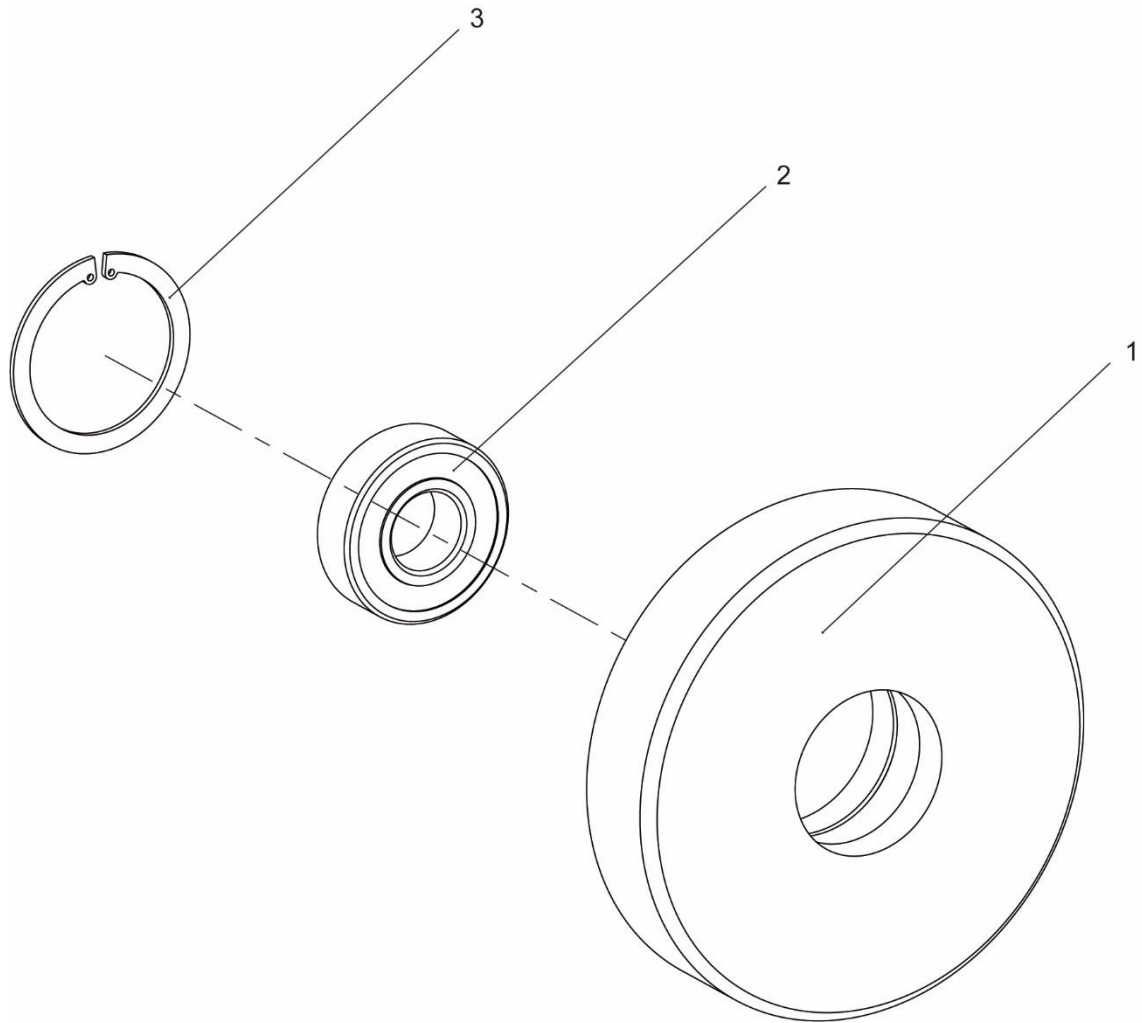
NO.	Material No.	Item and Spec	Units	Remark
1	00775300102800000	Lower components	1	
2	1040101640	Screw M3×10-A2-70	2	GB/T818-2000
3	1040201166	Nut M3-A2-70	4	GB/T6170-2000
4	1040000469	Bolt M6-8	12	GB/T889.1-2000
5	1040300066	Washer 8	34	GB/T97.1-2002
6	1040200503	Nut M8-8	16	GB/T889.1-2000
7	00775300101000000	Guard rails II	1	
8	1040000156	Bolt M8×60-8.8	6	GB/T5782-2000
9	00775300102400000	Guard rails IV	2	
10	1040200867	Nut M5	6	GB/T889.1-2000
11	00775606300801010	Power mounting plate	1	
12	1040102341	Screw M5×12-8.8	6	GB/T70.1-2000
13	00775306650200000	Platform AC assembly	1	
14	1100400025	D Pin 6.3×55	2	
15	00775300102000000	Guard rails III	1	
16	00775600101800000	Platform gate	1	
17	1101000163	Spring hinge	2	
18	1040200506	Nut M6-8	12	GB/T889.1-2000
19	1040300051	Washer 6	24	GB/T97.1-2002
20	1040001185	Bolt M6×50-8.8	12	GB/T5783-2000
21	00775300100400000	Guard rails I	2	
22	00775600102200000	Mounting pulley assembly	2	
23	00775600100001020	Gasket I	2	
24	00775600102400000	Platform pin mounting base	2	
25	1040102718	Screw M8×50	8	GB/T70.1-2000

Pedal Installation

Pedal Installation

NO.	Material No.	Item and Spec	Units	Remark
1	1040500606	Pin B10×45	1	GB/T882-2008
2	1040500214	Split pin 3.2×40	1	GB/T91-2000
3	1040200504	Nut M10-8	1	GB/T889.1-2000
4	1040300061	Washer 10	1	GB/T97.1-2002
5	00775600100801020	Pedal	1	
6	00775600100801040	Sleeve	1	
7	00775600100801050	Plate	1	
8	00775600100801030	Spring	1	
9	00775600100801060	Bayonet lock	1	

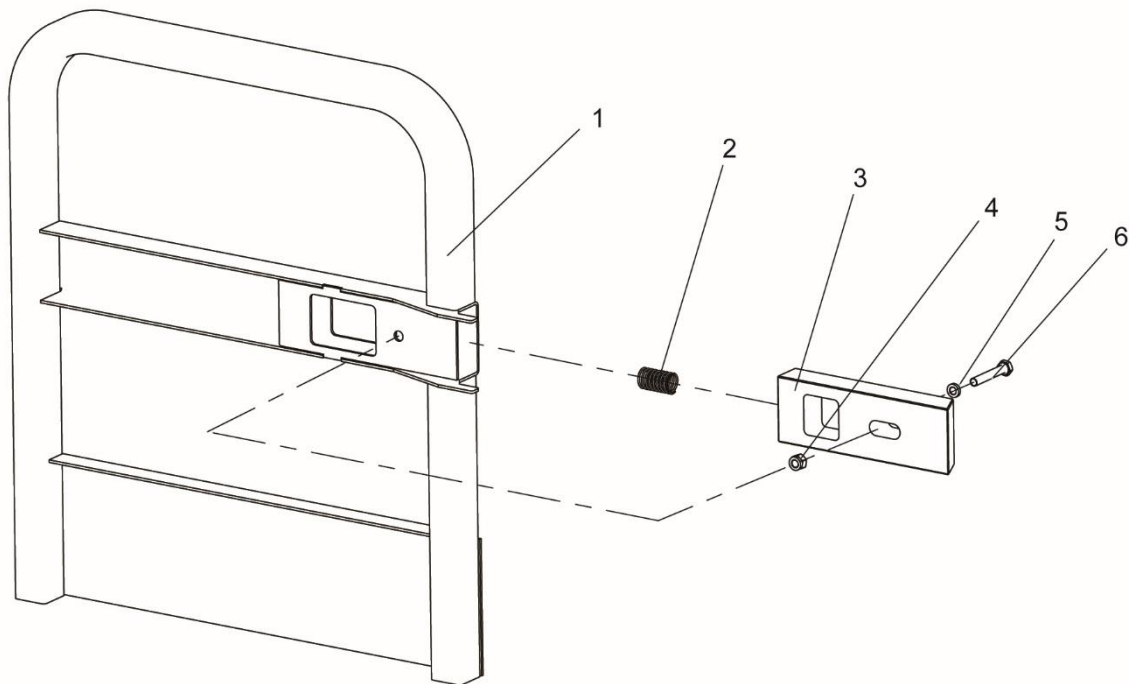
Platform Pulley Installation



Platform Pulley Installation

NO.	Material No.	Item and Spec	Units	Remark
1	1040300082	Retaining ring 47	1	GB/T893.1-1986
2	1050201257	Bearing 6204-2RS	1	GB/T276-1994
3	00775600102201010	Platform mounting pulley	1	

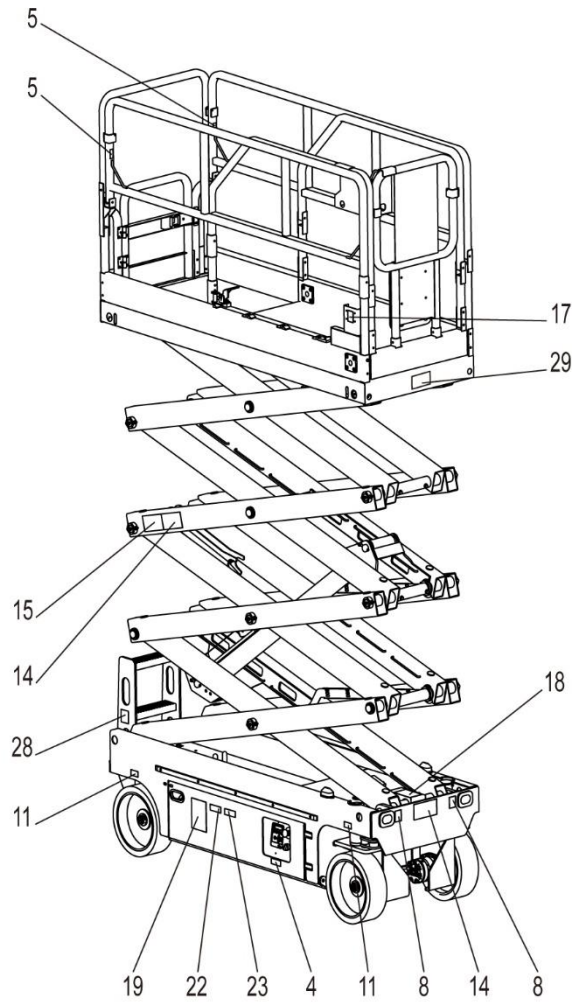
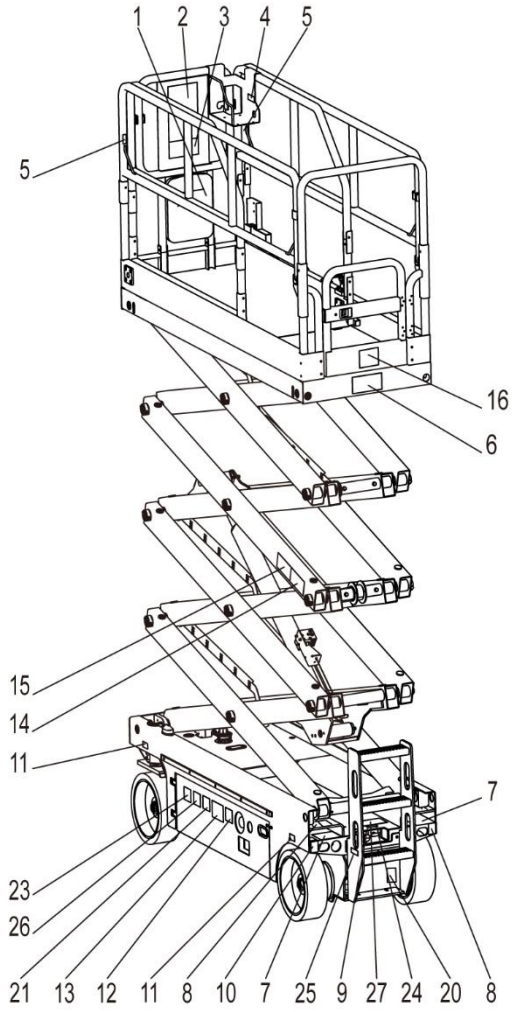
Platform Gate



Platform Gate

NO.	Material No.	Item and Spec	Units	Remark
1	00775600101810000	Platform Gate Weldment	1	
	00775200101010000	Platform Gate Weldment (ZS1530 Series only)	1	
2	00775600101801020	Spring	1	
3	00775600101801010	Key cylinder	1	
4	1040200503	Nut M8-8	1	GB/T889.1-2000
5	1040300066	Washer 8	1	GB/T97.1-2002
6	1040000469	Bolt M8×55	1	GB/T5783-2000

ZS1932/ZS1930 Series Decal Installation



ZS1932/ZS1930 Series Decal Installation

NO.	Material No.	Item and Spec	Units	Remark
1	00775307080402040	Label- Store the Operation and Safety Manual	1	
2	00775207010403010	Label- Safety Rules	1	
3	00775207010403070	Danger- Tip-over Hazard	1	
4	00775307080402030	Label- Read the Instructions Carefully	2	
5	00775307080202090	Label- Lanyard Anchorage Point	4	
6	00775307040201020	Label- Capacity, 230kg	1	
	007753070F0201030	Label- Capacity, 230kg (ZS1932ACW/ACW-Li)	1	
7	00775307080202210	Label- Forklift Hole	2	
8	00775307080202010	Label- Lifting and tying	4	
9	00775307080402150	Label- Emergency Lowering	1	
10	00775307080401050	Label- AC Power to Platform	1	
11	00775307040401030	Label- Wheel Load, 580kg	4	
	007753070F0401030	Label- Wheel Load, 645kg (ZS1932ACW/ACW-Li)	4	
12	00775307080402110	Instruction- Main Power Switch Operation	1	
13	00775307080402060	Danger- Explosion and Fire Hazard	1	
14	00775307040401040	Danger- Crushing Hazard	3	
15	00775307040401050	Label- Safety Arm	2	
16	00775307080402170	Label- Max Manual Force	1	
17	00775307080401060	Label- Platform Power Rated Voltage	1	
18	00775307040401100	Danger- Tip-over Hazard	1	
19	00775307080402130	Label- Pre-operation Inspection	1	
20	00775307080202140	Label- Charger Power Supply	1	
21	00775207020201020	Label- Lithium-ion Battery (ZS1930HD/HA/AC/DC-Li only)	2	
22	00775307080401040	Label- High pressure liquid hazard	1	
23	00775307040401070	Label- Notice, Close tray	2	
24	00775307040401060	Label- Use safety arm	1	
25	00775307080401020	Label- Electrocutation hazard	1	
26	00775307040401080	Label- Battery tray quality warranty	1	
27	00775307020401010	Label- Brake release (ZS1930HD/HA/HD-Li/HA-Li only)	1	
28	00775609900401040	Nameplate	1	
29	00775307080401080	Label- non-insulated	1	